

971VB

Delany Bedpan Diverter Valve Assembly is for pre-rinsing of the bedpan before sanitizing. The assembly is for installation involving pre-existing flush valves and grab bars. Installation complies with ADA height requirements.

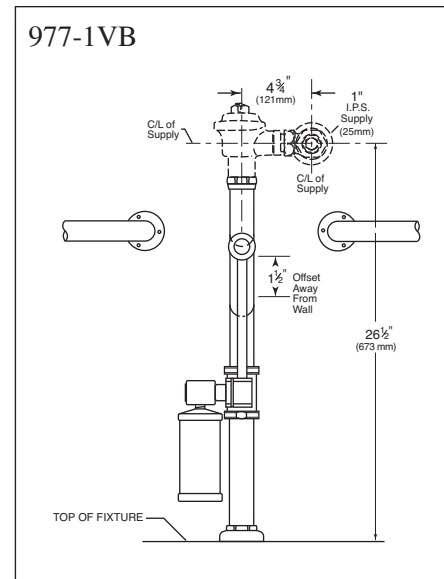
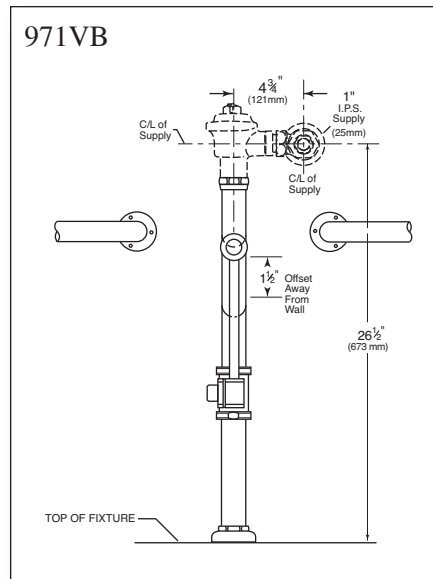
Includes: Bedpan Diverter Valve assembly, offset vacuum breaker, wall support, spud nut and spud flange assembly.

Flush valve is not included with bedpan diverter assembly.



971-1VB

Same as above except equipped with Deoseptic Injector Unit.



Coyne and Delany Co.
P.O. Box 411 · Charlottesville · VA · 22902 · USA
Phone: (434) 296-0166 · Fax (434) 977-3596