

977VB

Delany Bedpan Diverter Valve Assembly is for pre-rinsing of the bedpan before sanitizing. The assembly is for installation with existing flush valves, or for replacement of the existing diverter valve.

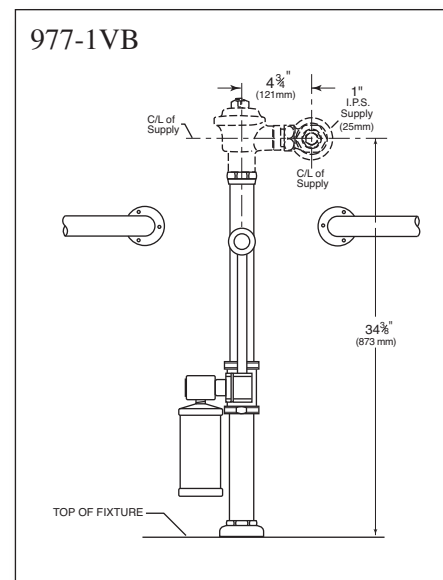
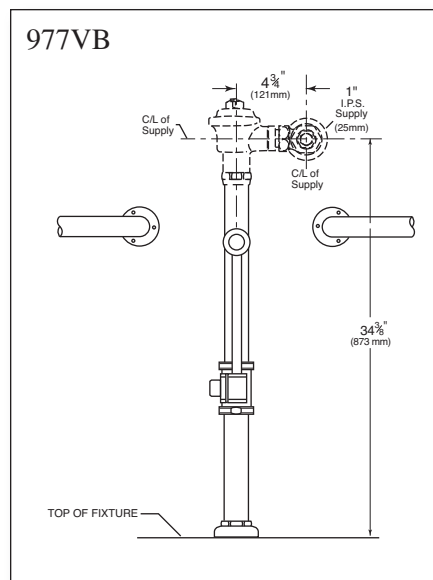
Includes: Bedpan Diverter Valve assembly, vacuum breaker, wall support, spud nut and spud flange assembly.

Flush valve not included with bedpan diverter assembly.



977-1VB

Same as above except equipped with Deoseptic Injector Unit.



Delany
FLUSH VALVES
SINCE 1879

Coyne and Delany Co.
P.O. Box 411 · Charlottesville · VA · 22902 · USA
Phone: (434) 296-0166 · Fax (434) 977-3596