

978VB

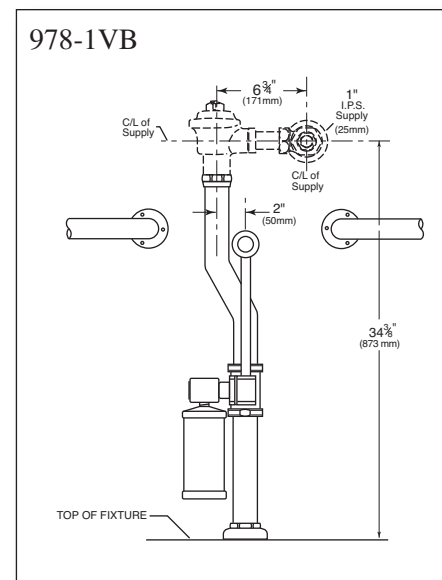
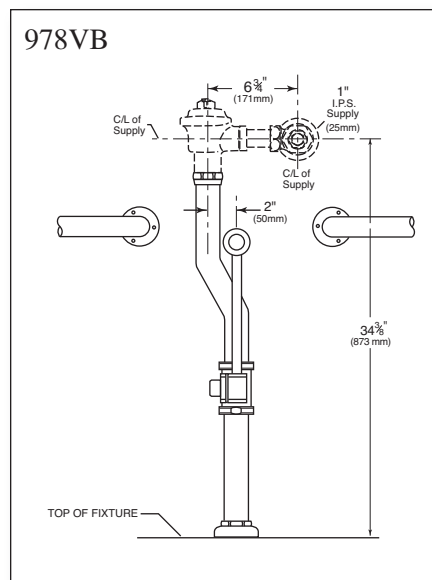
Delany Bedpan Diverter Valve Assembly is for replacement of installation using the old style offset diverter arm assembly as manufactured by American Sterilizer, Chicago Faucet and American Standard.

Includes: Bedpan Diverter Valve assembly, offset vacuum breaker, wall support, spud nut and spud flange assembly.

Flush valve is not included with bedpan diverter assembly.

978-1VB

Same as above except equipped with Deoseptic Injector Unit.



Delany
FLUSH VALVES
SINCE 1879

Coyne and Delany Co.
P.O. Box 411 · Charlottesville · VA · 22902 · USA
Phone: (434) 296-0166 · Fax (434) 977-3596