

1242-1.6

“L.C.” LOW CONSUMPTION
FLUSH VALVE (1.6 GALS. PER FLUSH)

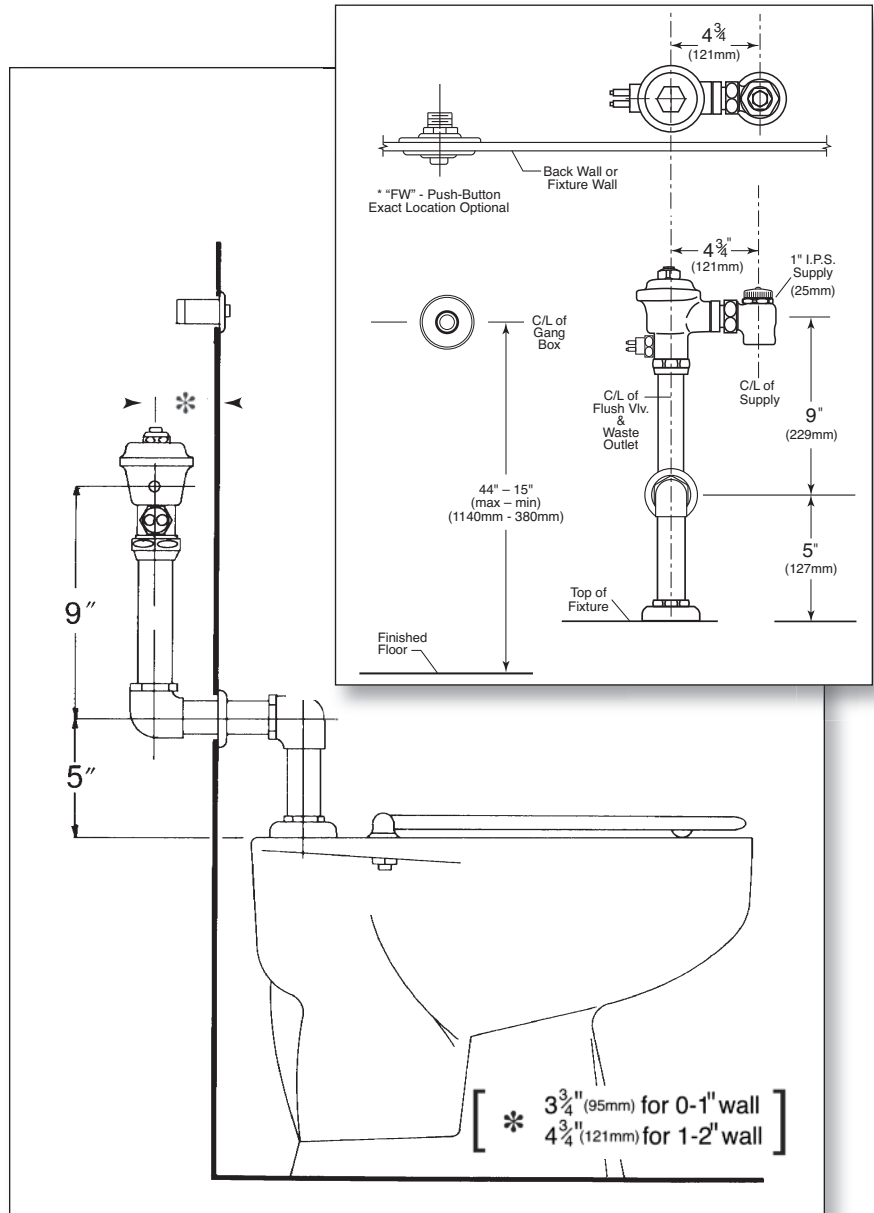
Concealed rough brass flush valve, diaphragm type, 1.6 gallons per flush, externally adjustable for water conservation, with 1” wheel handle angle stop with back-check, renewable main valve seat, equipped with push-button hydro-flush actuator through wall, wall flange, “Turn-to-Silence” equipment, with “Kwikfit” threaded union tailpiece, vacuum breaker, double elbow flush connection for 1½” exposed top spud, wall flange, spud nut and spud flange. All exposed parts polished chrome. Includes 194 Sweat Adaptor.

Variations

- A – Screwdriver operated stop
- B – ½” Push button
- T6 – Heavy cast wall flange with allen head set screw
- T8 – Sweat inlet stop
- Y – 1” Straight stop

Remarks

* For use with 1.6 gallon low consumption water closet



P.O. Box 411 · Charlottesville · VA · 22902 · USA
 Phone: (434) 296-0166 · Fax (434) 977-3596
 Email: info@delanyproducts.com
 Web: www.delanyproducts.com
 ©2009