

**S**ensor operated concealed rough brass flush valve, diaphragm type, externally adjustable for water conservation, equipped with solenoid and sensor unit, with wall cover plate for electrical gang box with override button and tamper-proof screws, with 1" wheel handle angle stop with back-check, renewable main valve seat, "Turn-to-Silence" equipment, with "Kwikfit" threaded union tailpiece, vacuum breaker, elbow flush connection for 1½" exposed back spud, wall flange, spud nut and spud flange. All exposed parts polished chrome. *UL Listed.*

**Variations**

- 3 - Water saver equipment
- A - Screwdriver operated stop
- T6 - Heavy cast wall flange with allen head set screw
- T8 - Sweat inlet stop
- T42 - Sweat adapter kit for stop
- Y - 1" Straight stop

**Electrical Variations**

\_\_\_ For: -24 Volts (requires transformer)

Sensor: -Input 24VAC  
 -Output 24 VAC

Solenoid: -24VAC 50/60 Hz

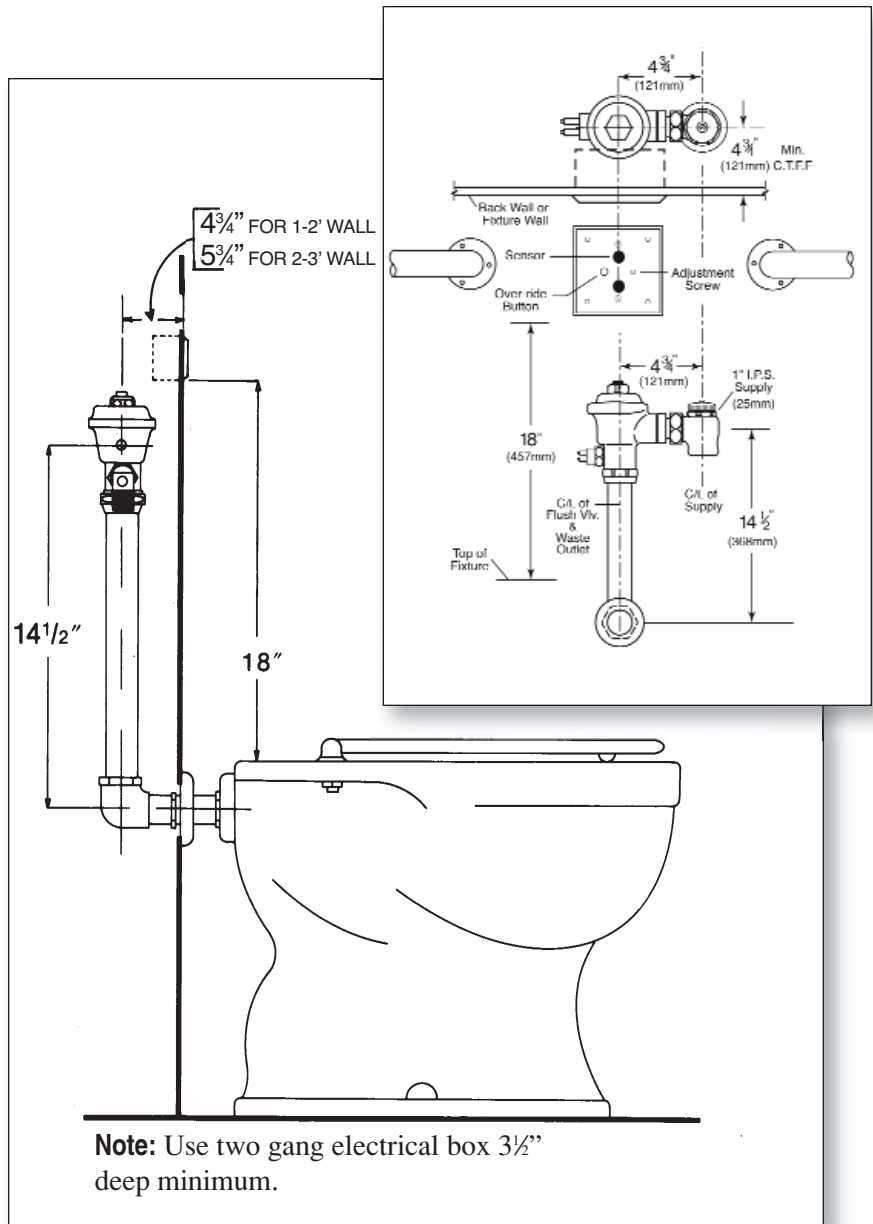
Transformer: -120VAC 50/60 Hz Primary  
 -24VAC 50/60 Hz Secondary

\_\_\_ For: -110 Volts

Sensor: -Input 120VAC  
 -Output 120 VAC

Solenoid: -120VAC / 60Hz (6.2 Watts)

**Remarks**



**Note:** Use two gang electrical box 3½" deep minimum.

