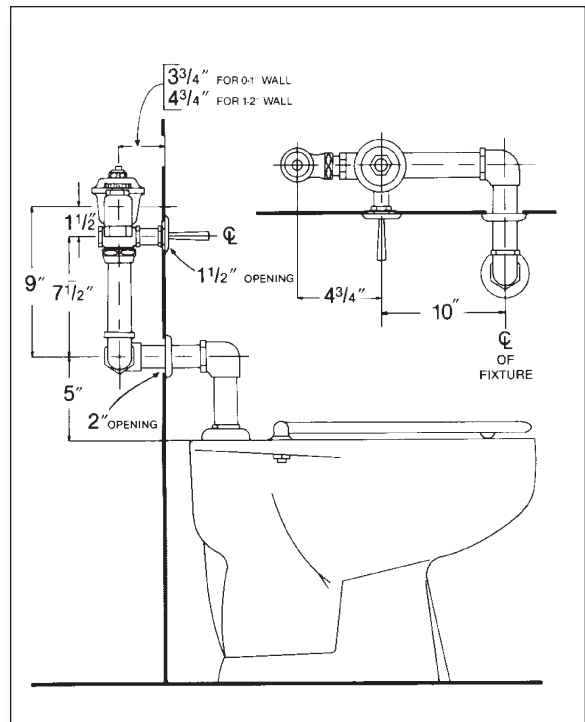


Concealed rough brass flush valve, diaphragm type, externally adjustable for water conservation, with 1" wheel handle angle stop with back-check, renewable main valve seat, metal "Rubberflex" oscillating handle through wall, wall flange, "Turn-to-Silence" equipment, with "Kwikfit" threaded union tailpiece, vacuum breaker, triple elbow flush connection for 1½" exposed top spud, wall flange, spud nut and spud flange. All exposed parts polished chrome.

Variations

- 3 – Water saver equipment
- B – ½" Push-button
- C – 3" Oscillating disc
- E – One wall bumper (for seat with cover or closed front seat without cover)
- F – Two wall bumpers (for open front seat without cover)
- T6 – Heavy cast wall flange with allen head set screw
- T7 – Nickel-silver handle, push-button, or oscillating disc, as applicable
- T8 – Sweat inlet stop
- T42 – Sweat adapter kit for stop
- Y – 1" Straight stop

Remarks



P.O. Box 411 · Charlottesville · VA · 22902 · USA
 Phone: (434) 296-0166 · Fax (434) 977-3596
 Email: info@delanyproducts.com
 Web: www.delanyproducts.com
 ©2009