

1271-1

“L.C.” LOW CONSUMPTION
FLUSH VALVE (1.0 GALS. PER FLUSH)

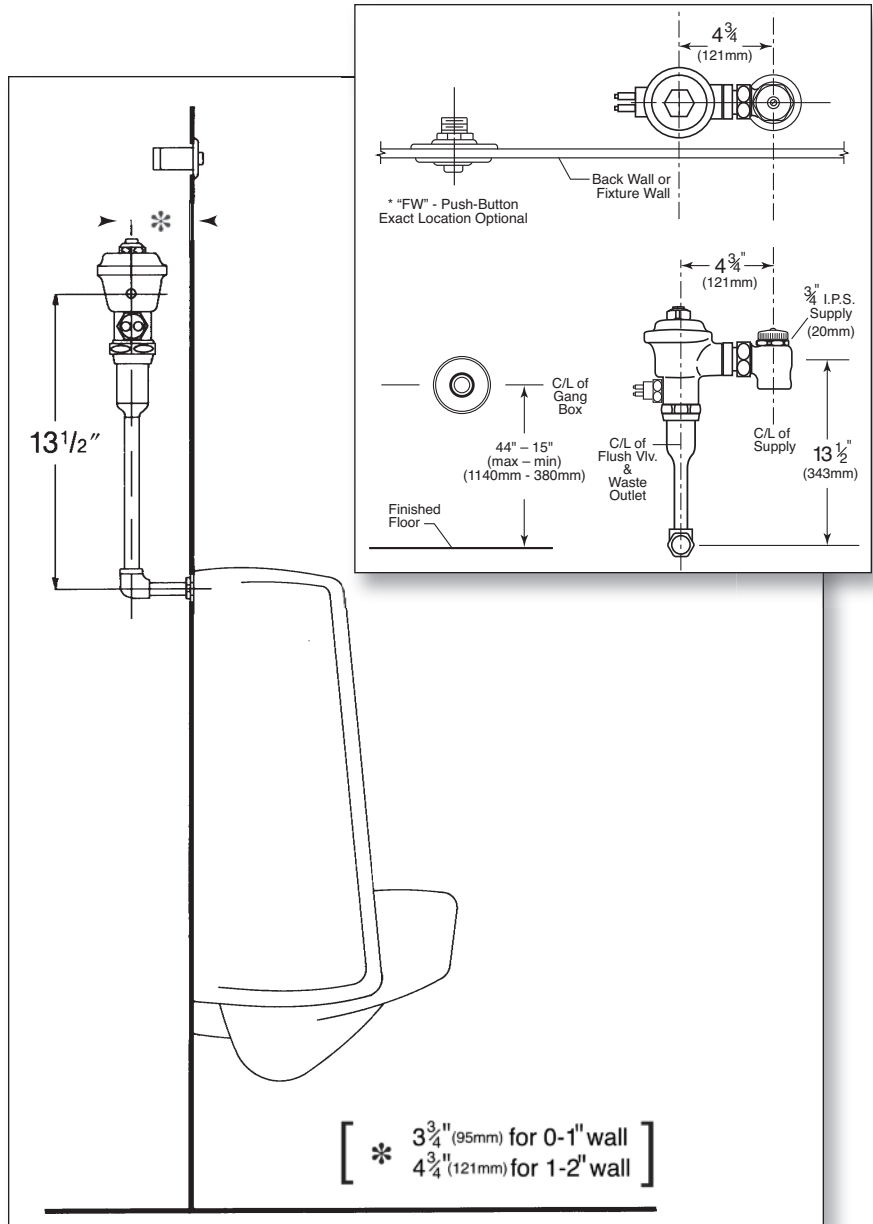
Concealed rough brass flush valve, diaphragm type, 1.0 gallons per flush, externally adjustable for water conservation, with $\frac{3}{4}$ " wheel handle angle stop with back-check, renewable main valve seat, equipped with push-button hydro-flush actuator through wall, wall flange, “Turn-to-Silence” equipment, with “Kwikfit” threaded union tailpiece, vacuum breaker, elbow flush connection for $\frac{3}{4}$ " concealed back spud. All exposed parts polished chrome. Includes 195 Sweat Adaptor.

Variations

- A - Screwdriver operated stop
- O - Flush connection for $1\frac{1}{2}$ " spud
- T27 - $\frac{3}{4}$ " Straight stop

Remarks

* For use with 1.0 gallon low consumption urinals



P.O. Box 411 · Charlottesville · VA · 22902 · USA
 Phone: (434) 296-0166 · Fax (434) 977-3596
 Email: info@delanyproducts.com
 Web: www.delanyproducts.com
 ©2009