

1272-1

**"L.C." LOW CONSUMPTION  
FLUSH VALVE (1.0 GALS. PER FLUSH)**

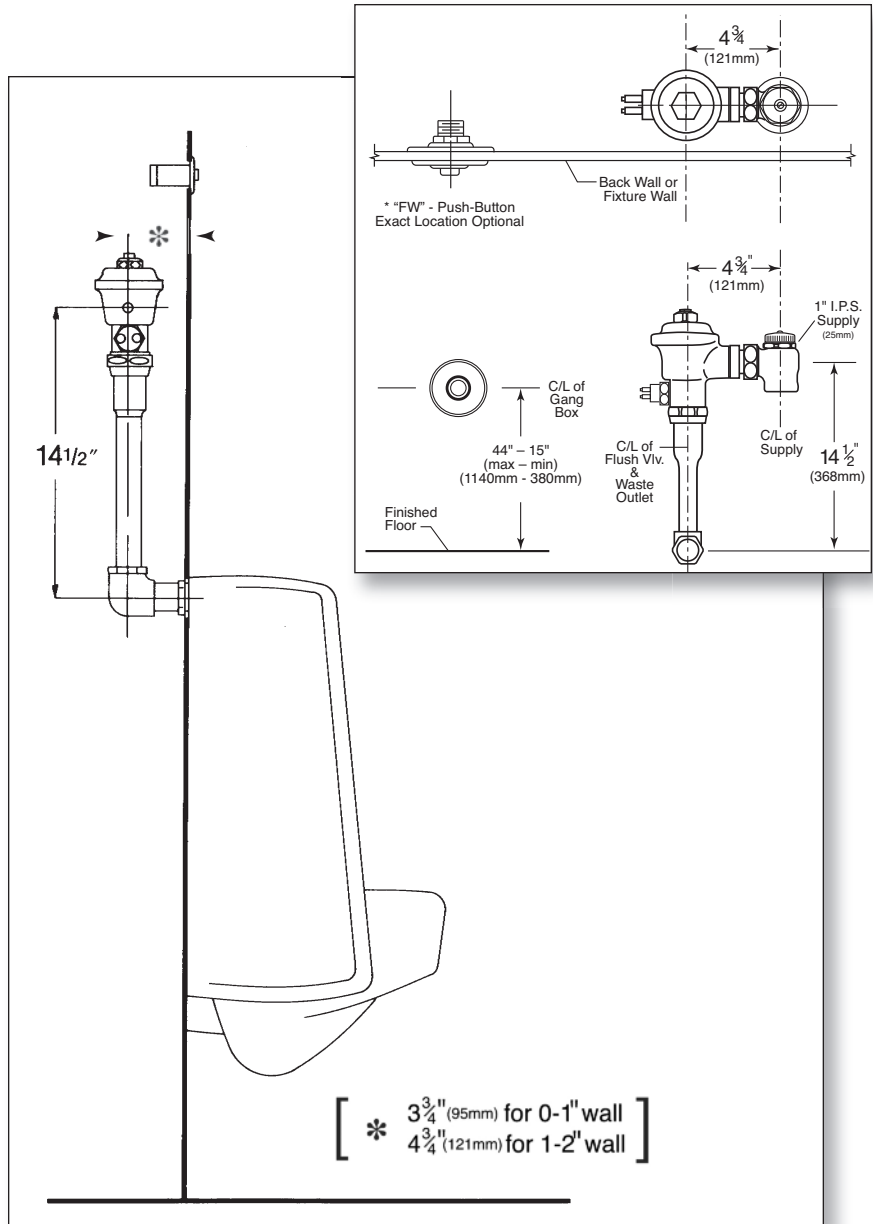
**C**oncealed rough brass flush valve, diaphragm type, 1.0 gallons per flush, externally adjustable for water conservation, with 1" wheel handle angle stop with back-check, renewable main valve seat, equipped with push-button hydro-flush actuator through wall, wall flange, "Turn-to-Silence" equipment, with "Kwikfit" threaded union tailpiece, vacuum breaker, elbow flush connection for 1/4" concealed back spud. All exposed parts polished chrome. Includes 194 Sweat Adaptor.

**Variations**

- A - Screwdriver operated stop
- H - Flush connection for 1/2" spud
- T8 - Sweat inlet stop
- Y - 1" Straight stop

**Remarks**

\* For use with 1.0 gallon low consumption urinals



P.O. Box 411 · Charlottesville · VA · 22902 · USA  
 Phone: (434) 296-0166 · Fax (434) 977-3596  
 Email: info@delanyproducts.com  
 Web: www.delanyproducts.com  
 ©2009