

**S**ensor operated concealed rough brass flush valve, diaphragm type, externally adjustable for water conservation, equipped with solenoid and sensor unit, with wall cover plate for electrical gang box with tamper-proof screws, with  $\frac{3}{4}$ " wheel handle angle stop with back-check, renewable main valve seat, "Turn-to-Silence" equipment, with "Kwikfit" threaded union tailpiece, vacuum breaker, elbow flush connection for  $\frac{3}{4}$ " concealed back spud. All exposed parts brushed stainless steel. *UL Listed.*

**Variations**

- A - Screwdriver operated stop
- T8 - Sweat inlet stop
- T27 -  $\frac{3}{4}$ " Straight stop
- T32 -  $\frac{3}{4}$ " Female I.P. union outlet
- T42 - Sweat adapter kit for stop
- T45 - 1" Female I.P. union outlet

**Electrical Variations**

\_\_\_ For: -24 Volts (requires transformer)

Sensor: -Input 24VAC  
 -Output 24 VAC

Solenoid: -24VAC 50/60 Hz

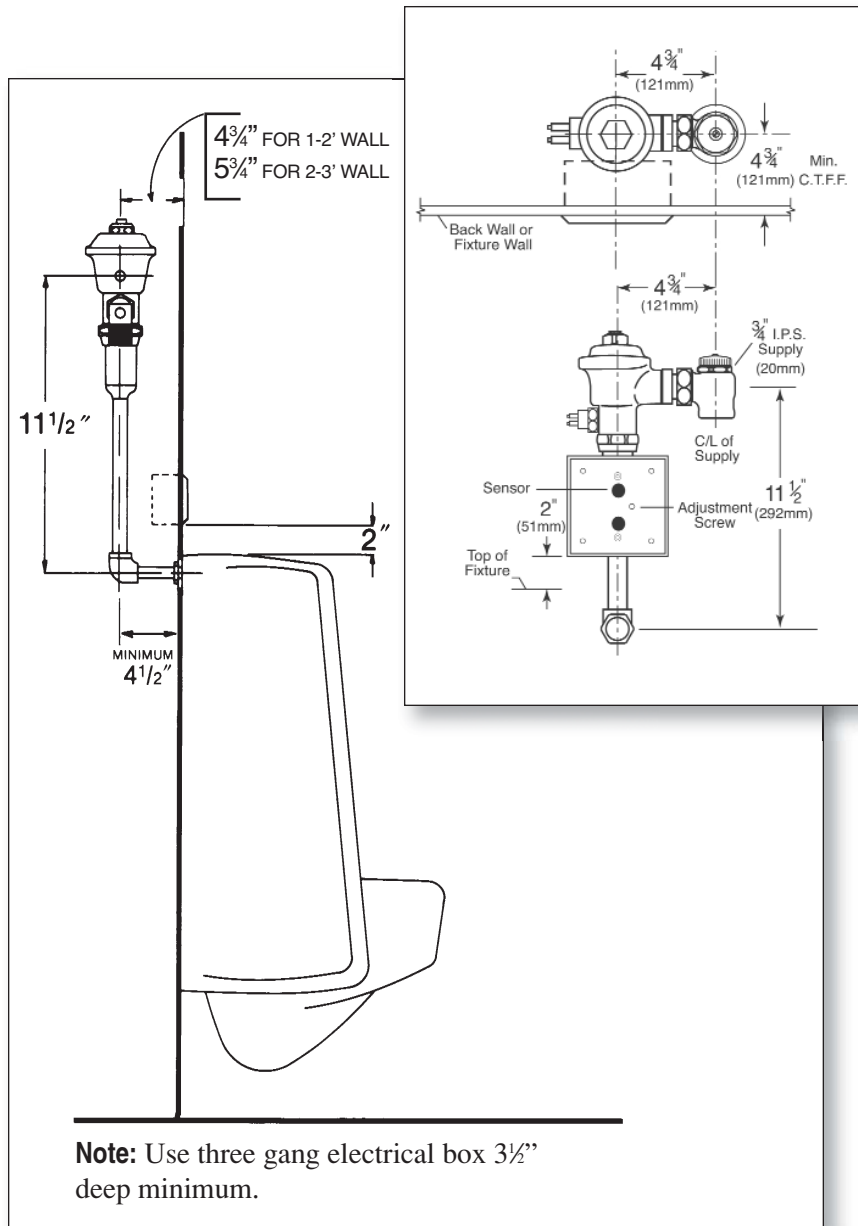
Transformer: -120VAC 50/60 Hz Primary  
 -24VAC 50/60 Hz Secondary

\_\_\_ For: -110 Volts

Sensor: -Input 120VAC  
 -Output 120 VAC

Solenoid: -120VAC / 60Hz (6.2 Watts)

**Remarks**



**Note:** Use three gang electrical box  $3\frac{1}{2}$ " deep minimum.

