

572-1

**"L.C." LOW CONSUMPTION
FLUSH VALVE (1.0 GALS. PER FLUSH)**

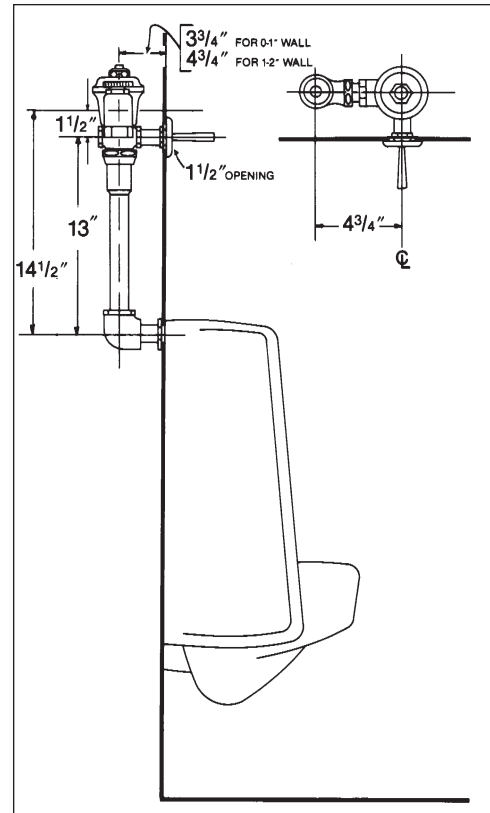
Concealed rough brass flush valve, diaphragm type, 1.0 gallons per flush, externally adjustable, with 1" wheel handle angle stop with back-check, renewable main valve seat, metal "Rubberflex" oscillating handle through wall, wall flange, "Turn-to-Silence" equipment, with "Kwikfit" threaded union tailpiece, vacuum breaker, elbow flush connection for 1 1/4" concealed back spud. All exposed parts polished chrome.

Variations

- B - 1/2" Push button
- C - 3" Oscillating disc
- H - Flush connection for 1 1/2" spud
- T6 - Heavy cast wall flange with allen head set screw
- T7 - Nickel-silver handle, push button, or oscillating disc, as applicable
- T8 - Sweat inlet stop
- T42 - Sweat adapter kit for stop
- Y - 1" Straight stop

Remarks

* For use with 1.0 gallon low consumption urinals



P.O. Box 411 · Charlottesville · VA · 22902 · USA
Phone: (434) 296-0166 · Fax (434) 977-3596
Email: info@delanyproducts.com
Web: www.delanyproducts.com
©2009