

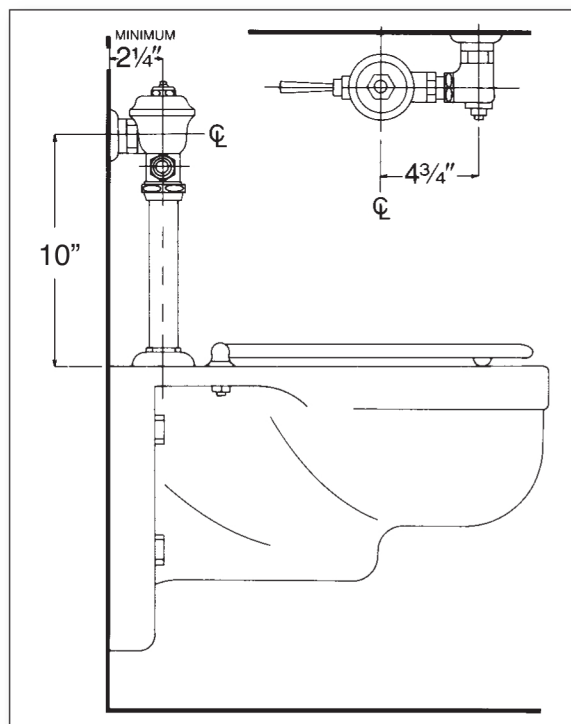
Polished chrome plated flush valve, chloramine resistant diaphragm, 3.5 gallons per flush, externally adjustable, with 1” capped screwdrive angle stop with back-check, renewable main valve seat, metal “Rubberflex” oscillating handle, “Turn-to-Silence” equipment, with “Kwikfit” threaded union tailpiece, vacuum breaker, wall flange, spud nut and spud flange for 1½” top spud.

Variations

- O – Flush connection for 1¼” spud
- T36 – Solid ring wall support for flush connection
- T42 – Sweat adapter kit for stop
- T46 – Split ring wall support for flush connection

Remarks

* For use with 3.5 gallon low consumption water closet



P.O. Box 411 · Charlottesville · VA · 22902 · USA
Phone: (434) 296-0166 · Fax (434) 977-3596
Email: info@delanyproducts.com
Web: www.delanyproducts.com
©2012

