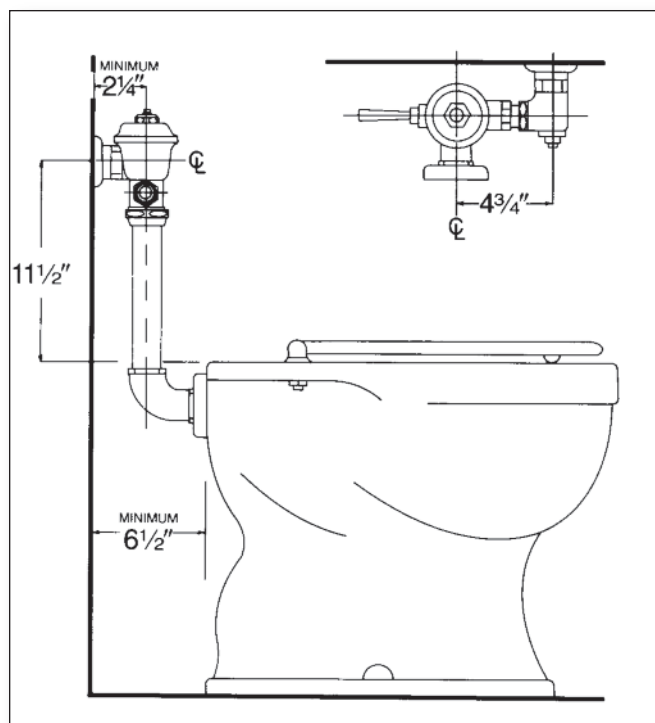


Polished chrome plated flush valve, diaphragm type, externally adjustable for water conservation, with 1" capped screwdriver angle stop with back-check, renewable main valve seat, metal "Rubberflex" oscillating handle, "Turn-to-Silence" equipment, with "Kwikfit" threaded union tailpiece, vacuum breaker, elbow flush connection, wall flange, spud nut and spud flange for 1½" back spud.

Variations

- 3 – Water saver equipment
- C – 3" Oscillating disc
- D – Bumper on valve (for seat with cover)
- G – Bumper on angle stop (for seat without cover)
- L – Handle or push-button on front of valve
- T6 – Heavy cast wall flange with allen head set screw
- T7 – Nickel-silver handle, push-button, or oscillating disc, as applicable
- T8 – Sweat inlet stop
- T36 – Solid ring wall support for flush connection
- T42 – Sweat adapter kit for stop
- T46 – Split ring wall support for flush connection

Remarks



Coyned Delany, Charlottesville, VA, 22902 • USA
 Phone: (434) 206-0166 Fax: (434) 977-9039
 Phone: (434) 206-0166
 Email: info@coynedelany.com
 ©2009 www.coynedelany.com