

451-1

"L.C." LOW CONSUMPTION
FLUSH VALVE (1.0 GALS. PER FLUSH)

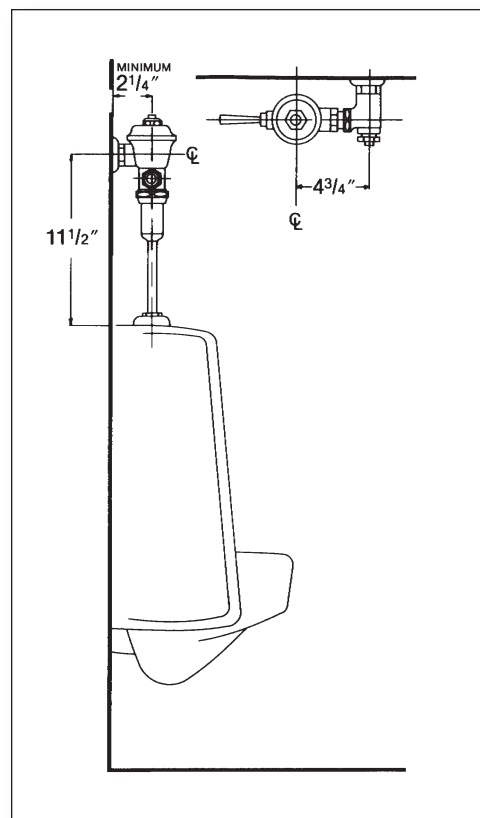
Polished chrome plated flush valve, diaphragm type, 1.0 gallons per flush, externally adjustable, with $\frac{3}{4}$ " capped screwdriver angle stop with back-check, renewable main valve seat, metal "Rubberflex" oscillating handle, "Turn-to-Silence" equipment, with "Kwikfit" threaded union tailpiece, vacuum breaker, wall flange, spud nut and spud flange for $\frac{3}{4}$ " spud.

Variations

- C – 3" Oscillating disc
- L – Handle or push-button on front of valve
- T6 – Heavy cast wall flange with allen head set screw
- T7 – Nickel-silver handle, push-button, or oscillating disc, as applicable
- T36 – Solid ring wall support for flush connection
- T42 – Sweat adapter kit for stop
- T46 – Split ring wall support for flush connection

Remarks

* For use with 1.0 gallon low consumption urinals



P.O. Box 411 · Charlottesville · VA · 22902 · USA
Phone: (434) 296-0166 · Fax (434) 977-3596
Email: info@delanyproducts.com
Web: www.delanyproducts.com
©2009