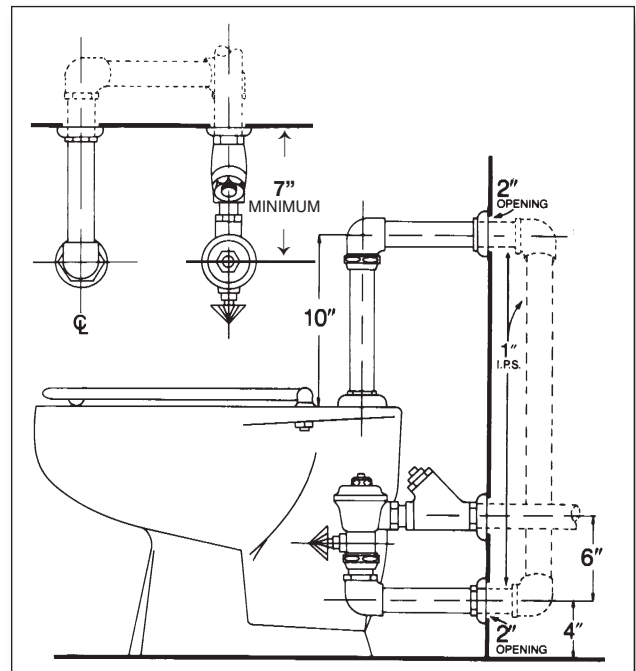
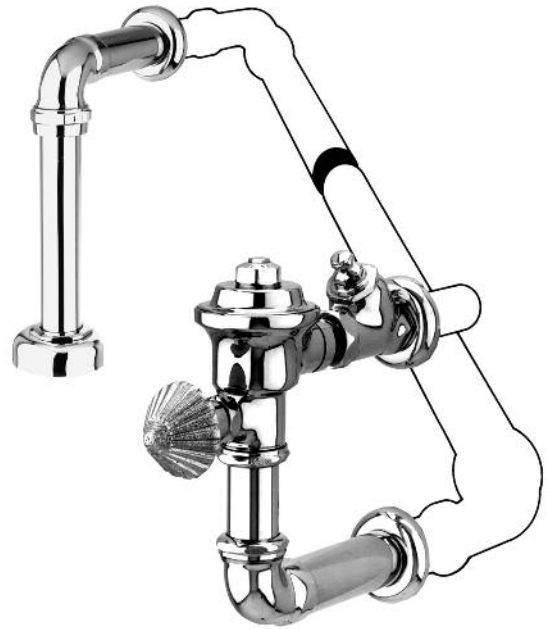


**P**olished chrome plated flush valve, diaphragm type, externally adjustable for water conservation, with 1" capped screwdriver straight stop with back-check, renewable main valve seat, metal "Rubberflex" oscillating foot pedal, "Turn-to-Silence" equipment, with "Kwikfit" threaded union tailpiece, 1" female I.P. union outlet, 1" street ell, casing to cover 1" I.P., 1" cast elbow, vacuum breaker, wall flange, spud nut and spud flange for 1½" top spud.

#### Variations

- 3 – Water saver equipment
- E – One wall bumper (for seat with cover or closed front seat without cover)
- F – Two wall bumpers (for open front seat without cover)
- O – Flush connection for 1¼" spud
- T6 – Heavy cast wall flange with allen head set screw
- T8 – Sweat inlet stop
- T42 – Sweat adapter kit for stop

#### Remarks



P.O. Box 411 · Charlottesville · VA · 22902 · USA  
 Phone: (434) 296-0166 · Fax (434) 977-3596  
 Email: info@delanyproducts.com  
 Web: www.delanyproducts.com  
 ©2009