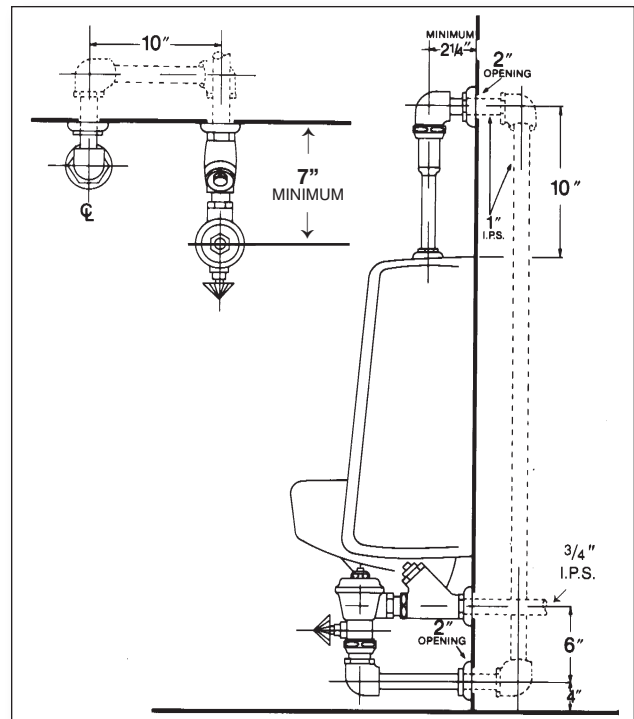
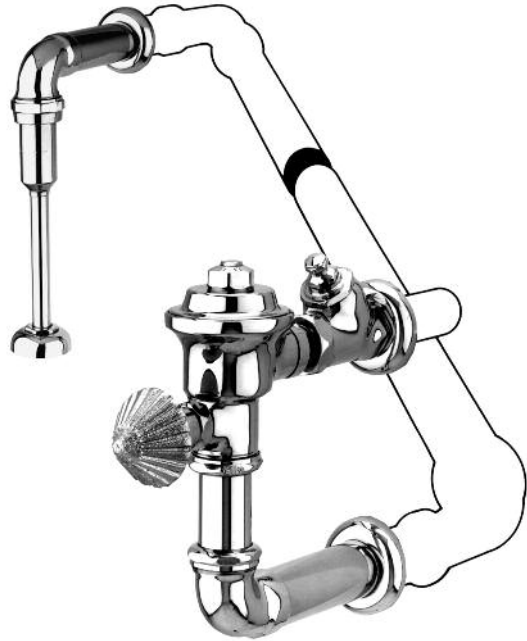


Polished chrome plated flush valve, diaphragm type, externally adjustable for water conservation, with $\frac{3}{4}$ " capped screwdriver straight stop with back-check, renewable main valve seat, metal "Rubberflex" oscillating foot pedal, "Turn-to-Silence" equipment, with "Kwikfit" threaded union tailpiece, 1" female I.P. union outlet, 1" street ell, casing to cover 1" I.P., 1" cast elbow, vacuum breaker, wall flange, spud nut and spud flange for $\frac{3}{4}$ " top spud.

Variations

- M – 1 $\frac{1}{4}$ " Female I.P. union outlet
- T6 – Heavy cast wall flange with allen head set screw
- T – 42-Sweat adapter kit for stop

Remarks



P.O. Box 411 · Charlottesville · VA · 22902 · USA
 Phone: (434) 296-0166 · Fax (434) 977-3596
 Email: info@delanyproducts.com
 Web: www.delanyproducts.com
 ©2009