

# IMPULSE

**B**attery Powered, Sensor Operated, polished chrome plated flush valve, diaphragm type, equipped with Impulse Sensor Module for ADA compliant “Hands Free” operation includes ABS hard plastic cover with sensor electronics, solenoid valve, one (1) dual-cell lithium battery and over-ride button. Sensor electronics are range adjustable with low battery indicator LED, and optional 24 hr. “Cleanser Flush”. Supplied with 1” capped screwdriver angle stop with back-check, renewable main valve seat, “Turn-to-Silence” quiet equipment, with “KwikFit” threaded union tailpiece, vacuum breaker, wall flange, spud nut and flange for 1½” top spud.

Optional, I 3050 hand held infrared remote control unit can adjust “sensing” range and indicate battery status.

## Remarks



## Impulse Flush Vlv. Model No.s

- I1402-3-OB Water Saver Flush Cycle (3.5 gpf / 13.2 Lpf)
- I1402-1.6-OB Low Consumption Flush Cycle (1.6 gpf / 6 Lpf)
- I1402-1.28-OB Ultra Low Flow Flush Cycle (1.28 gpf / 4.8 Lpf)



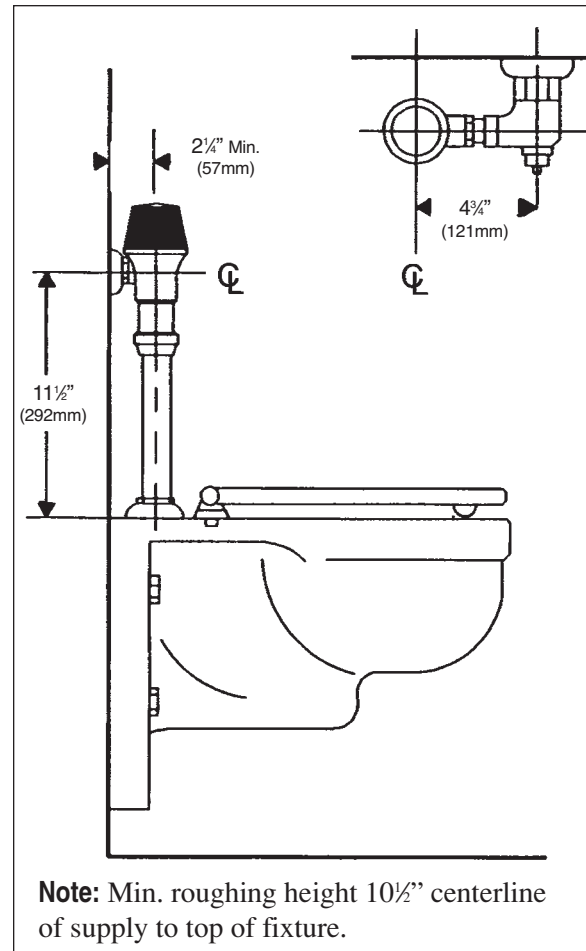
P.O. Box 411 · Charlottesville · VA · 22902 · USA  
Phone: (434) 296-0166 · Fax (434) 977-3596  
Email: info@delanyproducts.com  
Web: www.delanyproducts.com  
©2009



## Specifications

Sensor Control Circuit:	Solid State 6.0V DC Input
Timing Delay:	8 sec. Activation Delay
Sensor Range:	12"-40", Range Adjustable
Battery Type:	1 – Camera Style, Double Cell Six (6) Volts, Lithium Battery Ind. Stdrd. No. 2CR5
Battery Life:	5 Years (est 4,000 flushes/month)
Low Battery Indicator Light	Green Indicator light flashes when battery status is "poor"; approx. 5,000 flushes are left in the battery
Cleanser Flush:	A flush every 24 hours (Optional)
Cover Material:	ABS, Non-toxic Plastic UL Approved Fire Rating: UL-94-V
Water Pressure Range:	20-100 psi

## Installation Drawings



I 1402



P.O. Box 411 · Charlottesville · VA · 22902 · USA  
 Phone: (434) 296-0166 · Fax (434) 977-3596  
 Email: info@delanyproducts.com  
 Web: www.delanyproducts.com  
 ©2009