

IMPULSE

Battery Powered, Sensor Operated Retro-Fit Kit for manual water closet and urinal flush valves

Battery Powered, Sensor Operated, Retro-Fit Kit for ADA compliant “Hands Free” operation includes ABS hard plastic cover with sensor electronics, solenoid valve, one (1) dual-cell lithium battery and over-ride button. Kit features: range adjustable sensor, low battery indicator LED and optional 24 hrs. “Cleanser Flush” with blank metal cap for the handle pad.

Optional, I 3050 hand held infrared remote control unit can adjust “sensing” range and indicate battery status.

Remarks



RetroFit Kit Model No.

Water Closet RetroFit Kits

- I3003A-OB Standard Flush Cycle (4.5 gpf / 17 Lpf)
- I3003A-3-OB Water Saver Flush Cycle (3.5 gpf / 13.2 Lpf)
- I3003A-1.6-OB Low Consumption Flush Cycle (1.6 gpf / 6 Lpf)
- I3003A-1.28-OB Ultra Low Flow Flush Cycle (1.28 gpf / 4.8 Lpf)

Urinal RetroFit Kits

For: 1/4" Top Spud

- I3003A-3 Standard Flush Cycle (3.5 gpf / 13.2 Lpf)
- I3003A-1.5 Water Saver Flush Cycle (1.5 gpf / 5.7 Lpf)
- I3003A-1 Low Consumption Flush Cycle (1.0 gpf / 3.8 Lpf)

For: 3/4" Top Spud

- I3003A-1 Low Consumption Flush Cycle (1.0 gpf / 3.8 Lpf)
- I3003A-0.5 Eco Ultra Low Flow Flush Cycle (0.5 gpf / 1.9/ Lpf)
- I3003A-0.125 High Efficiency Flush Cycle (0.125 gpf / 0.5 Lpf)



P.O. Box 411 · Charlottesville · VA · 22902 · USA
Phone: (434) 296-0166 · Fax (434) 977-3596
Email: info@delanyproducts.com
Web: www.delanyproducts.com
©2009



Specifications

Sensor Control Circuit:	Solid State 6.0V DC Input
Timing Delay:	8 sec. Activation Delay
Sensor Range:	12"-40", Range Adjustable
Battery Type:	1 – Camera Style, Double Cell Six (6) Volts, Lithium Battery Ind. Stdrd. No. 2CR5
Battery Life:	5 Years (est 4,000 flushes/month)

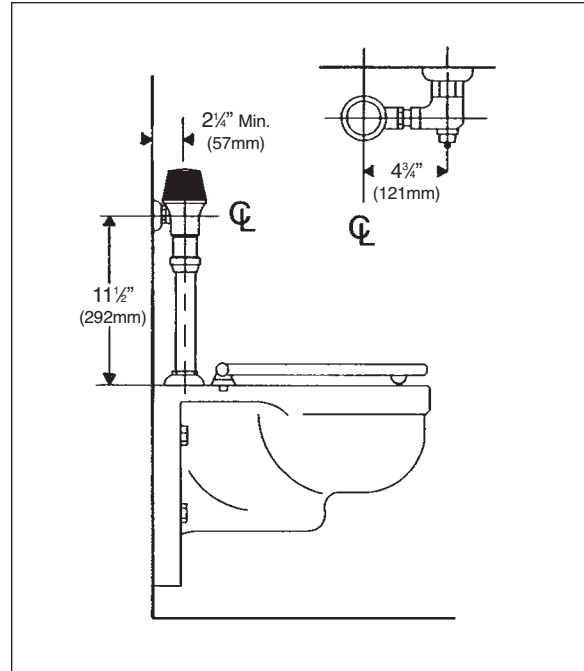
Low Battery Indicator Light: Green Indicator light flashes when battery status is "poor"; approx. 5,000 flushes are left in the battery

Cleanser Flush: A flush every 24 hours (Optional)

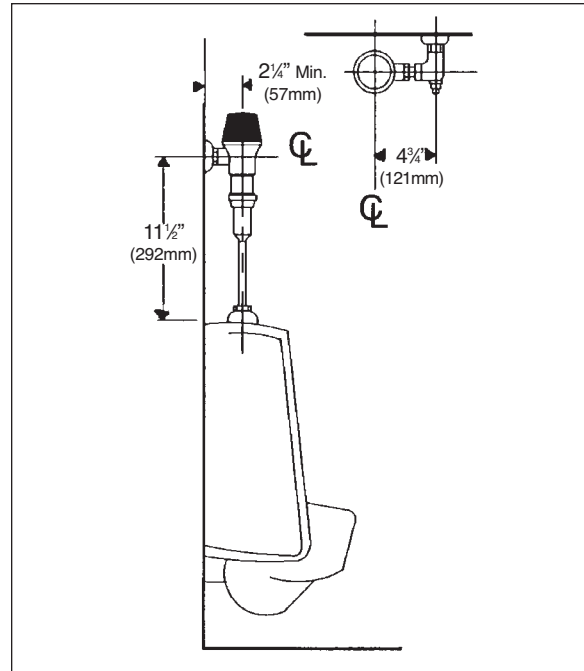
Cover Material: ABS, Non-toxic Plastic
UL Approved
Fire Rating: UL-94-V

Water Pressure Range: 20-100 psi

Installation Drawings



I 4004A, I 4004A-3 or I 4004A-1.6



I 4004A-1.0



P.O. Box 411 · Charlottesville · VA · 22902 · USA
 Phone: (434) 296-0166 · Fax (434) 977-3596
 Email: info@delanyproducts.com
 Web: www.delanyproducts.com
 ©2009

IMPULSE

Battery Powered, Sensor Operated Retro-Fit Kit for Sloan Royal & Regal manual water closet and urinal flush valves

Battery Powered, Sensor Operated, Retro-Fit Kit for ADA compliant “Hands Free” operation includes ABS hard plastic cover with sensor electronics, solenoid valve, one (1) dual-cell lithium battery and over-ride button. Kit features: range adjustable sensor, low battery indicator LED and optional 24 hrs. “Cleanser Flush” with blank metal cap for the handle pad.

Optional, I 3050 hand held infrared remote control unit can adjust “sensing” range and indicate battery status.

Remarks



RetroFit Kit Model No.

Water Closet RetroFit Kits

- I4004A-OB Standard Flush Cycle (4.5 gpf / 17 Lpf)
- I4004A-3-OB Water Saver Flush Cycle (3.5 gpf / 13.2 Lpf)
- I4004A-1.6-OB Low Consumption Flush Cycle (1.6 gpf / 6 Lpf)
- I4004A-1.28-OB Ultra Low Flow Flush Cycle (1.28 gpf / 4.8 Lpf)

Urinal RetroFit Kits

For: 1/4" Top Spud

- I4004A-3 Standard Flush Cycle (3.5 gpf / 13.2 Lpf)
- I4004A-1.5 Water Saver Flush Cycle (1.5 gpf / 5.7 Lpf)
- I4004A-1 Low Consumption Flush Cycle (1.0 gpf / 3.8 Lpf)

For: 3/4" Top Spud

- I4004A-1 Low Consumption Flush Cycle (1.0 gpf / 3.8 Lpf)
- I4004A-0.5 Eco Ultra Low Flow Flush Cycle (0.5 gpf / 1.9 Lpf)
- I4004A-0.125 High Efficiency Flush Cycle (0.125 gpf / 0.5 Lpf)



P.O. Box 411 · Charlottesville · VA · 22902 · USA
Phone: (434) 296-0166 · Fax (434) 977-3596
Email: info@delanyproducts.com
Web: www.delanyproducts.com
©2009



Specifications

Sensor Control Circuit: Solid State
6.0V DC Input

Timing Delay: 8 sec. Activation Delay

Sensor Range: 12"-40", Range Adjustable

Battery Type: 1 – Camera Style,
Double Cell Six (6) Volts,
Lithium Battery
Ind. Stdrd. No. 2CR5

Battery Life: 5 Years
(est 4,000 flushes/month)

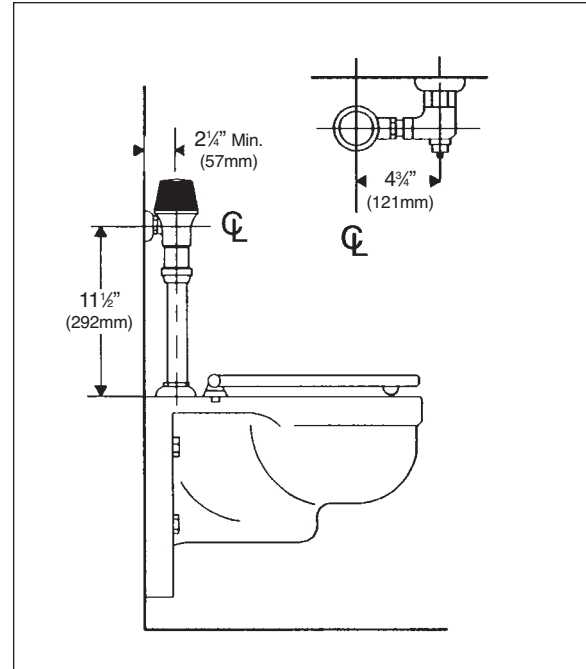
Low Battery Indicator Light: Green Indicator light flashes when battery status is "poor"; approx. 5,000 flushes are left in the battery

Cleanser Flush: A flush every 24 hours (Optional)

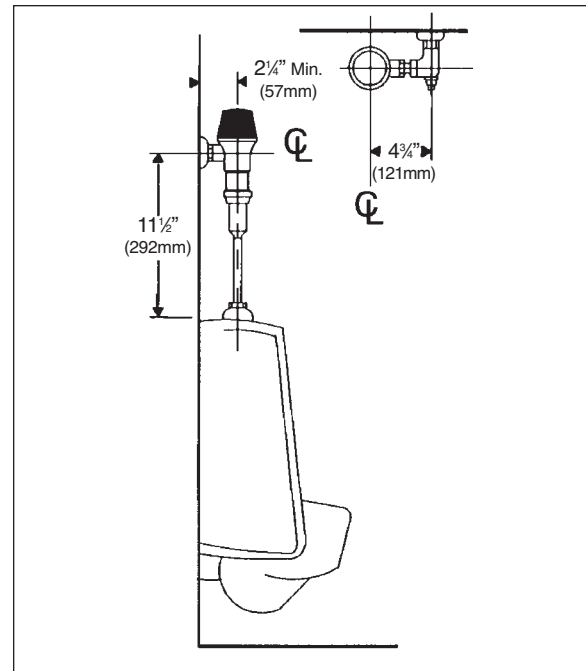
Cover Material: ABS, Non-toxic Plastic
UL Approved
Fire Rating: UL-94-V

Water Pressure Range: 20-100 psi

Installation Drawings



I 3003A, I 3003A-3 or I 3003A-1.6



I 3003A-1.0



P.O. Box 411 · Charlottesville · VA · 22902 · USA
Phone: (434) 296-0166 · Fax (434) 977-3596
Email: info@delanyproducts.com
Web: www.delanyproducts.com
©2009