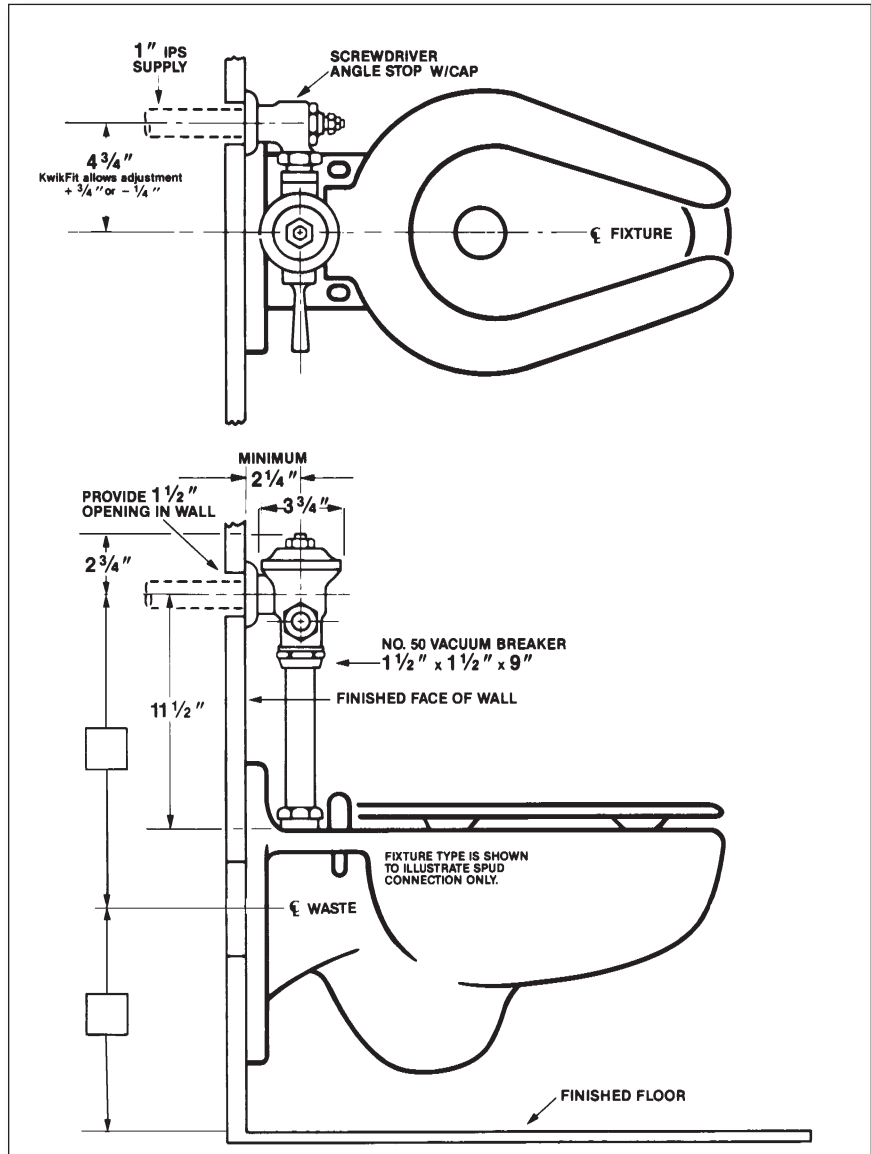


Specification: Polished chrome plated flush valve, diaphragm type, externally adjustable for water conservation, with 1" capped screwdriver angle stop with back-check, renewable main valve seat, metal "Rubberflex" oscillating handle, "Turn-to-Silence" equipment, with "Kwikfit" threaded union tailpiece, vacuum breaker, wall flange, spud nut for 1½" top spud.

Variations

- 3 - Water saver equipment
- C - 3" Oscillating disc
- D - Bumper on valve (for seat with cover)
- G - Bumper on angle stop (for seat without cover)
- L - Handle or push-button on front of valve
- T6 - Heavy cast wall flange with allen head set screw
- T7 - Nickel-silver handle, push-button, or oscillating disc, as applicable
- T8 - Sweat inlet stop
- T36 - Solid ring wall support for flush connection
- T42 - Sweat adapter kit for stop
- T46 - Split ring wall support for flush connection
-
-

Remarks



Recommended For: Heavy duty installations where abuse of equipment is expected but it is impractical to conceal valves behind wall.



P.O. Box 411 · Charlottesville · VA · 22902 · USA
 Phone: (434) 296-0166 · Fax (434) 977-3596
 Email: info@delanyproducts.com
 Web: www.delanyproducts.com
 ©2009