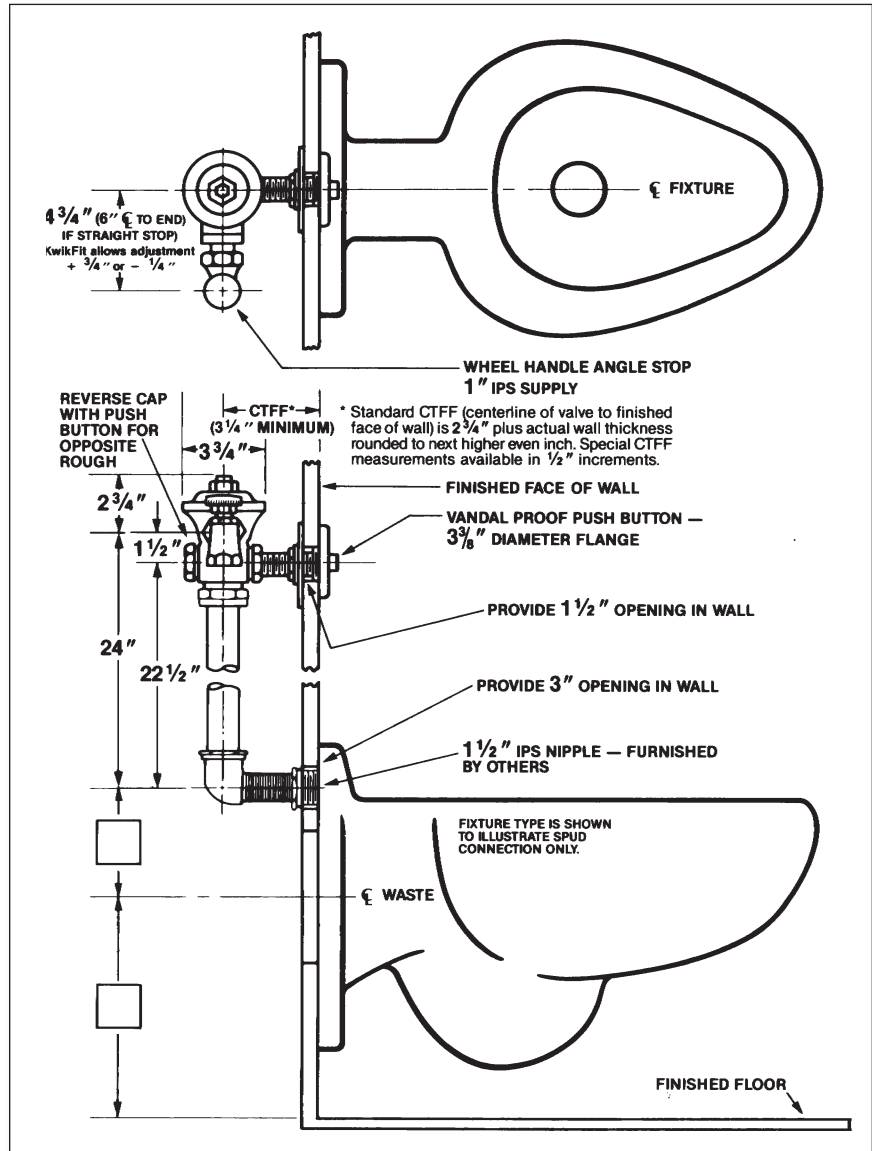


Specification: Concealed rough brass flush valve, diaphragm type, externally adjustable for water conservation, with 1" wheel handle angle stop with back-check, renewable main valve seat, metal "Rubberflex" push-button through wall, wall flange, "Turn-to-Silence" equipment, with "Kwikfit" threaded union tailpiece, twin body openings for roughing left or right, vacuum breaker, elbow flush connection for 1/2" concealed back spud. All exposed parts polished chrome.

Variations

- 3 - Water saver equipment
- A - Screwdriver operated stop
- C - 3" Oscillating disc
- M - 1/4" Female I.P. union outlet
- T7 - Nickel-silver handle, push-button, or oscillating disc, as applicable
- T8 - Sweat inlet stop
- T28 - Oscillating handle
- T37 - Non-syphon bypass
- T42 - Sweat adapter kit for stop
- T48 - Valve for use with an access box
- Y - 1" Straight stop

Remarks



Recommended For: Penal or heavier duty installations where vandalism and abuse are common. No parts of valve can be removed from front face of wall. Access to rear of wall for future service of valve and vacuum breaker must be provided.



P.O. Box 411 · Charlottesville · VA · 22902 · USA
 Phone: (434) 296-0166 · Fax (434) 977-3596
 Email: info@delanyproducts.com
 Web: www.delanyproducts.com
 ©2009