

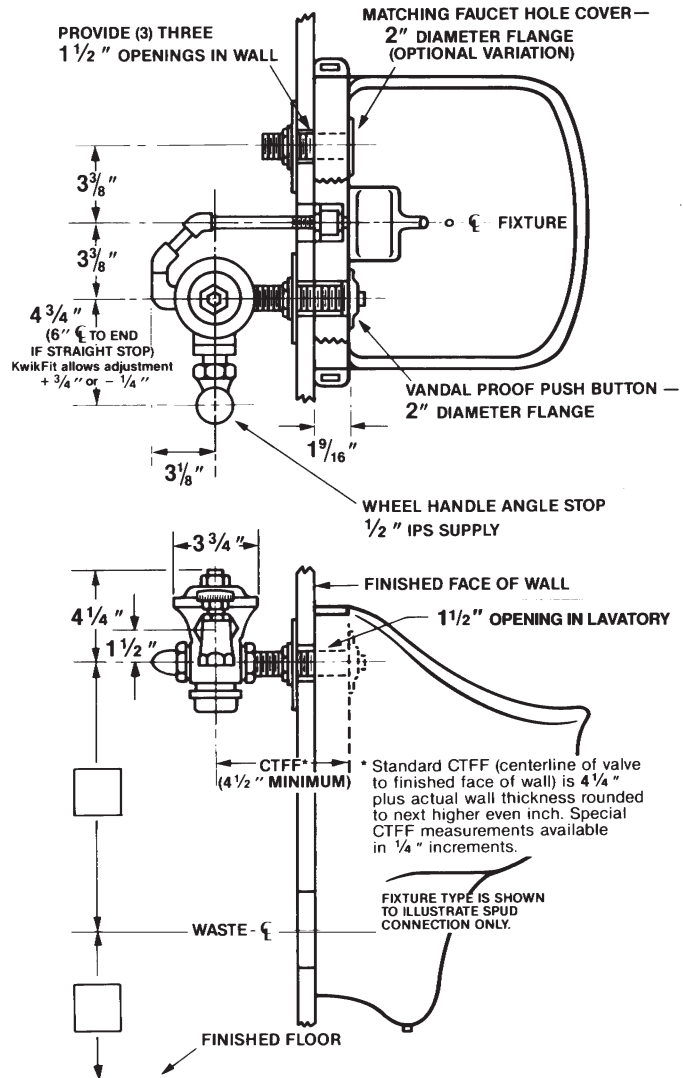
Specification: Concealed rough brass flush valve, diaphragm type, externally adjustable for water conservation, with $\frac{1}{2}$ " wheel handle angle stop, renewable main valve seat, metal "Rubberflex" push-button through wall and/or fixture back splash, wall flange, with "Kwikfit" threaded union tailpiece, $\frac{1}{2}$ " I.P. flush connection to expansion washer spout connection. All exposed parts polished chrome.

Variations

- T8 - Sweat inlet stop
- T27 - $\frac{3}{4}$ " Straight stop
- T28 - Oscillating handle
- T42 - Sweat adapter kit for stop

Remarks

FOR USE WITH CHINA FIXTURES



Recommended For: Heaviest duty installations where consistent metering of water is necessary or merely desirable. Combines the long service life of flush valves with tremendous water savings over a period of time. No part of valve can be removed from face of wall. Access for future repairs must be provided.

Delany
FLUSH VALVES
SINCE 1879

Coyne and Delany Co.
P.O. Box 411 · Charlottesville · VA · 22902 · USA
Phone: (434) 296-0166 · Fax (434) 977-3596