

987

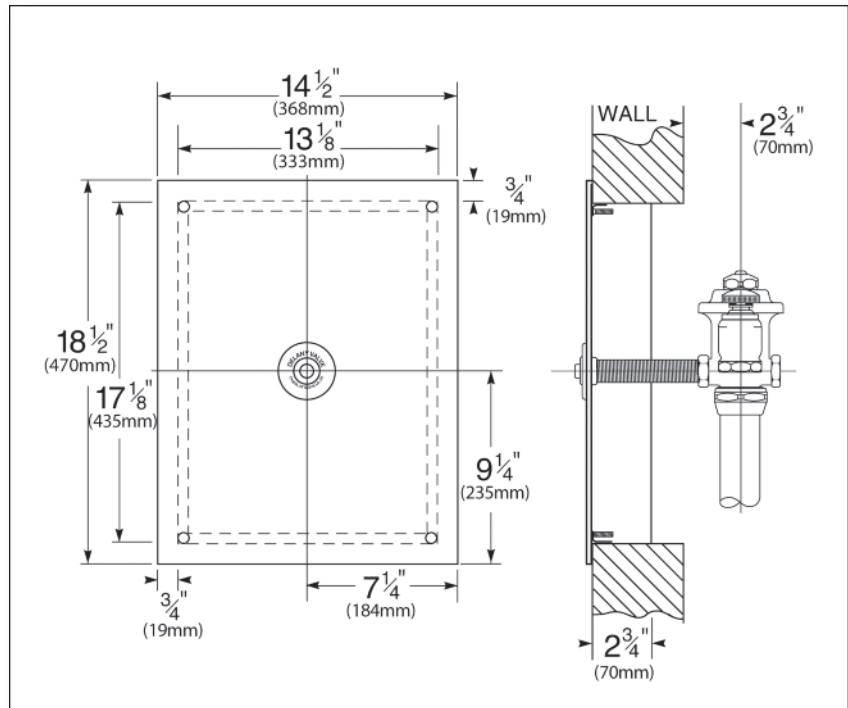
**K**wik-Entry access panel and frame assembly, with 1½" hole drilled in center of panel. Does not include push-button assembly or flush valve.

987-1

Kwik-Entry access panel and frame assembly, less hole drilling. Does not include push button assembly or flush valve.

Delany Kwik-Entry access panel and frame assembly provides ready accessibility to concealed flush valves for maintenance purposes.

Access panel is thirteen gauge stainless steel with brushed finish and vandal proof screws. Frame assembly slips into 13⅞ x 17⅞" cavity in wall and allows ample room to swing wrenches to dismantle flush valve. Wall flange surrounding push-button is removed by spanner wrench prior to removing access panel. Ideal for locations where pipe chases of sufficient size cannot be provided. Neat, finished appearance.



P.O. Box 411 · Charlottesville · VA · 22902 · USA  
Phone: (434) 296-0166 · Fax (434) 977-3596  
Email: info@delanyproducts.com  
Web: www.delanyproducts.com  
©2009