

Sensor operated concealed rough brass flush valve, diaphragm type, 1.0 gallons per flush, externally adjustable for water conservation, equipped with solenoid and sensor unit, with wall cover plate for electrical gang box with tamper-proof screws, with $\frac{3}{4}$ " wheel handle angle stop with back-check, renewable main valve seat, "Turn-to-Silence" equipment, with "Kwikfit" threaded union tailpiece, vacuum breaker, elbow flush connection for $\frac{3}{4}$ " concealed back spud. All exposed parts brushed stainless steel. *UL Listed.*

Variations

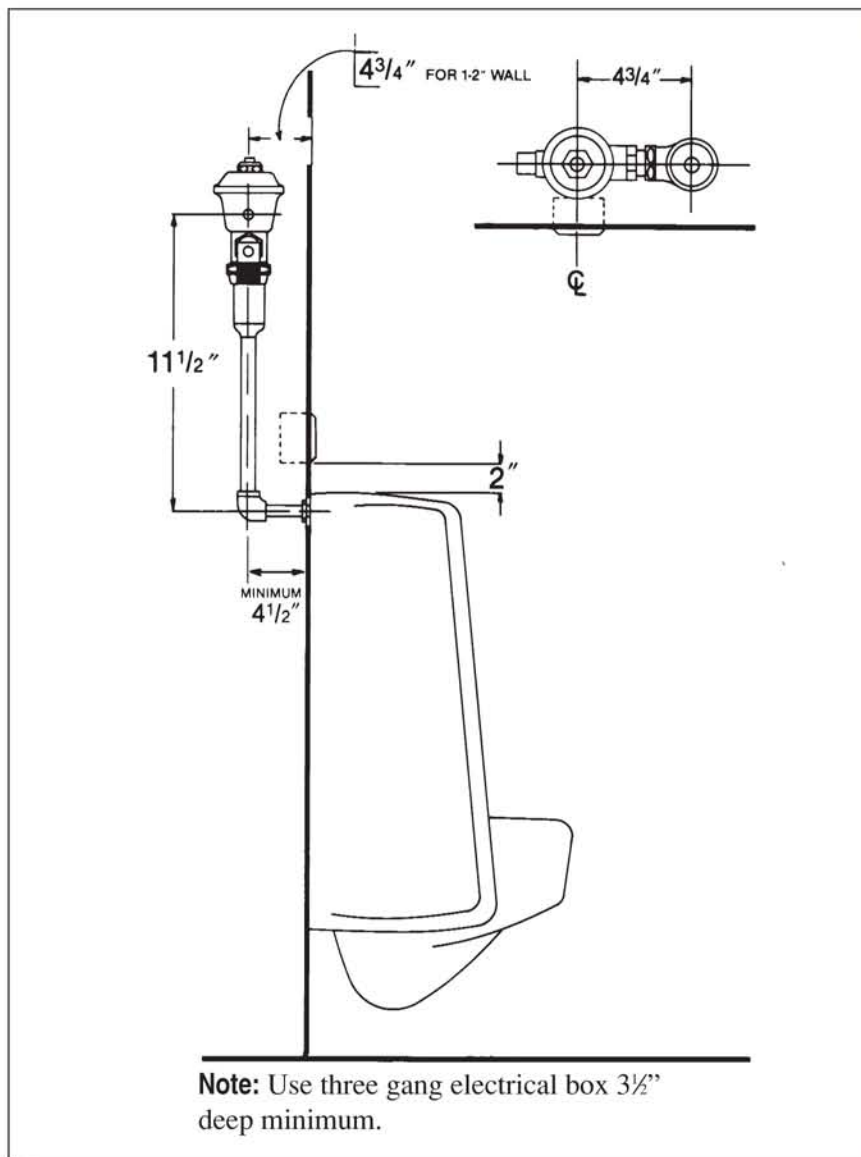
- A - Screwdriver operated stop
- T8 - Sweat inlet stop
- T27 - $\frac{3}{4}$ " Straight stop
- T32 - $\frac{3}{4}$ " Female I.P. union outlet
- T42 - Sweat adapter kit for stop
- T45 - 1" Female I.P. union outlet

Electrical Requirements

- Sensor - Input 120V AC
- Output 120V AC
Solenoid - 120V AC/60Hz (6.2Watts)

Remarks

* For use with 1.0 gallon low consumption urinals



Sensor operated concealed rough brass flush valve, diaphragm type, externally adjustable for water conservation, equipped with solenoid and sensor unit, with wall cover plate for electrical gang box with tamper-proof screws, with $\frac{3}{4}$ " wheel handle angle stop with back-check, renewable main valve seat, "Turn-to-Silence" equipment, with "Kwikfit" threaded union tailpiece, vacuum breaker, elbow flush connection for $\frac{3}{4}$ " concealed back spud. All exposed parts brushed stainless steel. *UL Listed.*

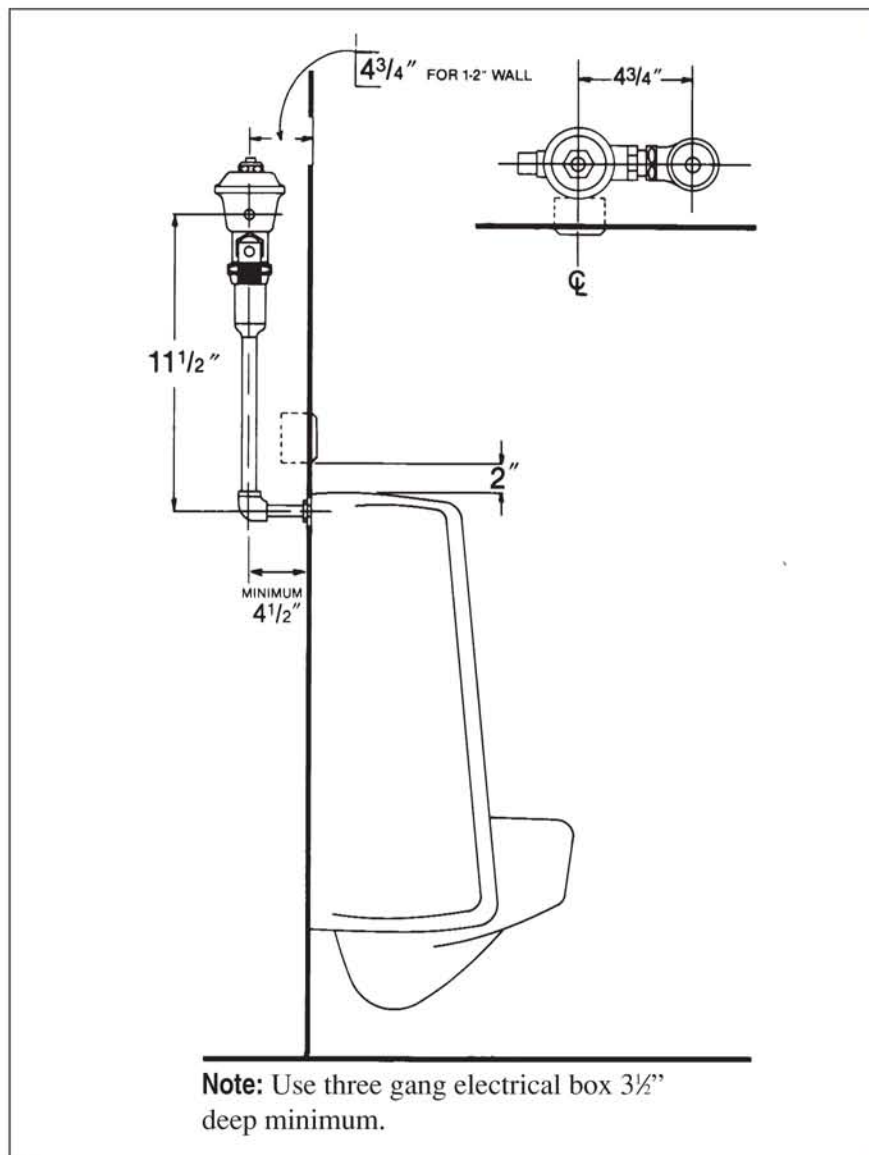
Variations

- A - Screwdriver operated stop
- T8 - Sweat inlet stop
- T27 - $\frac{3}{4}$ " Straight stop
- T32 - $\frac{3}{4}$ " Female I.P. union outlet
- T42 - Sweat adapter kit for stop
- T45 - 1" Female I.P. union outlet
-
-

Electrical Requirements

- Sensor - Input 120V AC
- Output 120V AC
- Solenoid - 120V AC/60Hz (6.2Watts)

Remarks



Delany
FLUSH VALVES
SINCE 1879

Coyne and Delany Co.
 P.O. Box 411 · Charlottesville · VA · 22902 · USA
 Phone: (434) 296-0166 · Fax (434) 977-3596

Sensor operated concealed rough brass flush valve, diaphragm type, 1.0 gallons per flush, externally adjustable for water conservation, equipped with solenoid and sensor unit, with wall cover plate for electrical gang box with tamper-proof screws, with 1" wheel handle angle stop with back-check, renewable main valve seat, "Turn-to-Silence" equipment, with "Kwikfit" threaded union tailpiece, vacuum breaker, elbow flush connection for 1/4" concealed back spud. All exposed parts brushed stainless steel. *UL Listed.*

Variations

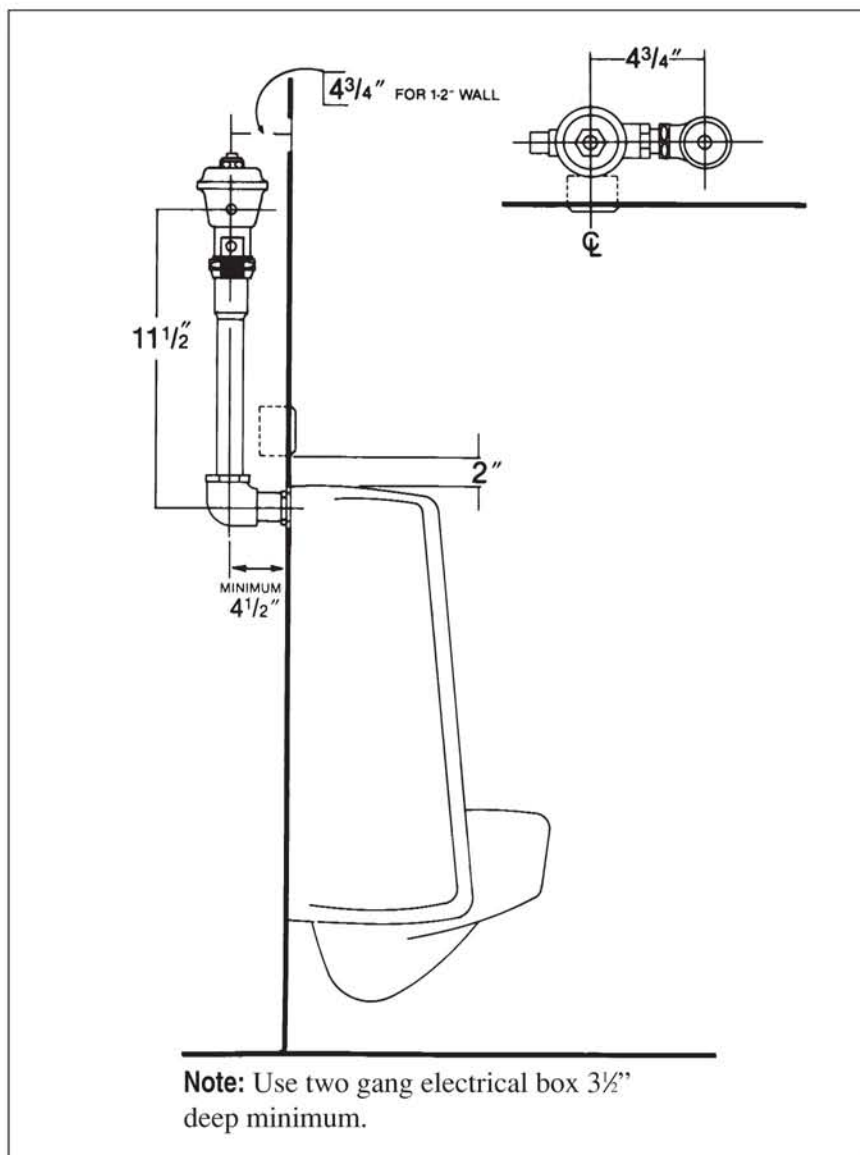
- A - Screwdriver operated stop
- M - 1/4" Female I.P. union outlet
- T8 - Sweat inlet stop
- T42 - Sweat adapter kit for stop
- T45 - 1" Female I.P. union outlet
- Y - 1" Straight stop

Electrical Requirements

- Sensor - Input 120V AC
- Output 120V AC
- Solenoid - 120V AC/60Hz (6.2Watts)

Remarks

* For use with 1.0 gallon low consumption urinals



Sensor operated concealed rough brass flush valve, diaphragm type, externally adjustable for water conservation, equipped with solenoid and sensor unit, with wall cover plate for electrical gang box with tamper-proof screws, with 1" wheel handle angle stop with back-check, renewable main valve seat, "Turn-to-Silence" equipment, with "Kwikfit" threaded union tailpiece, vacuum breaker, elbow flush connection for 1 1/4" concealed back spud. All exposed parts brushed stainless steel. *UL Listed.*

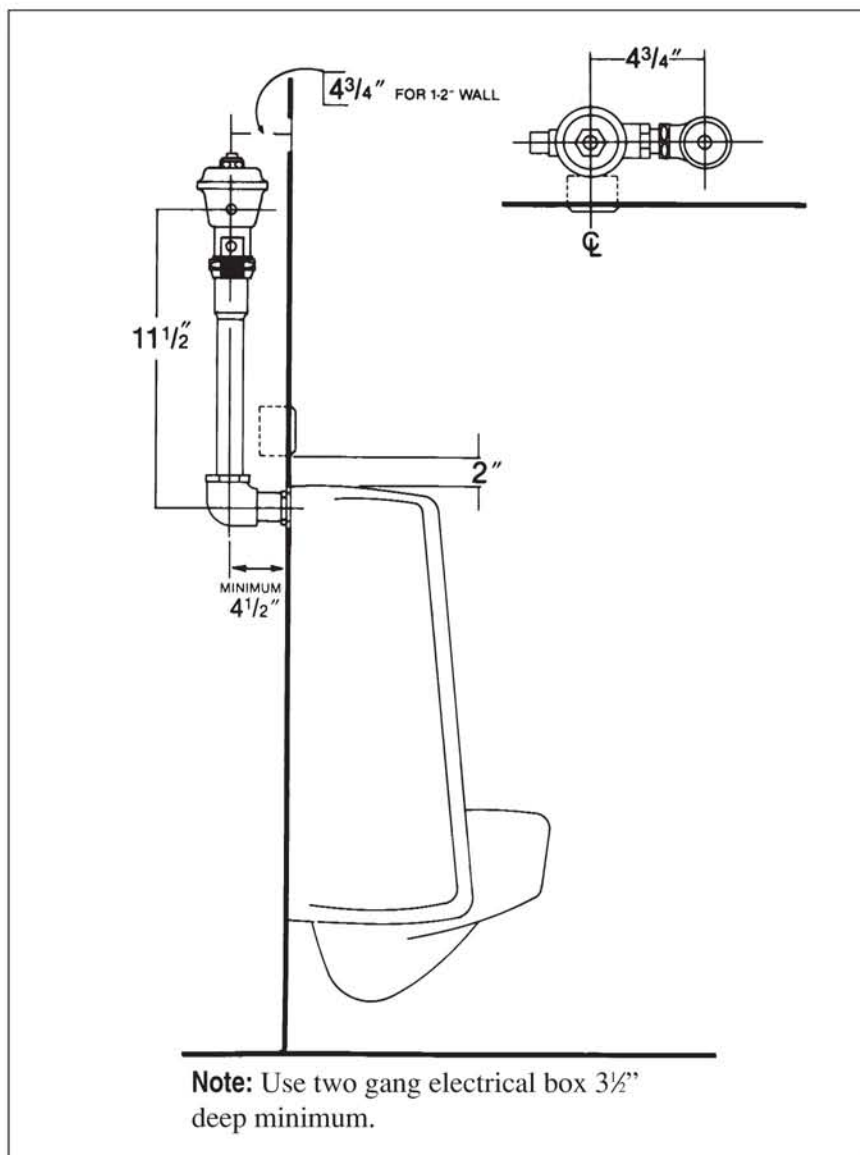
Variations

- A - Screwdriver operated stop
- M - 1/4" Female I.P. union outlet
- T8 - Sweat inlet stop
- T42 - Sweat adapter kit for stop
- T45 - 1" Female I.P. union outlet
- Y - 1" Straight stop
-
-

Electrical Requirements

- Sensor - Input 120V AC
- Output 120V AC
- Solenoid - 120V AC/60Hz (6.2Watts)

Remarks



Delany
FLUSH VALVES
SINCE 1879

Coyne and Delany Co.
 P.O. Box 411 · Charlottesville · VA · 22902 · USA
 Phone: (434) 296-0166 · Fax (434) 977-3596