

Sensor operated polished chrome plated flush valve, diaphragm type, 1.0 gallons per flush, externally adjustable for water conservation, equipped with solenoid and sensor unit, with wall cover plate for electrical gang box with tamper-proof screws, with 1" capped screwdriver angle stop with back-check, renewable main valve seat, "Turn-to-Silence" equipment, with "Kwikfit" threaded union tail-piece, vacuum breaker, wall flange, spud nut and spud flange for 1 1/4" top spud. *UL Listed.*

Variations

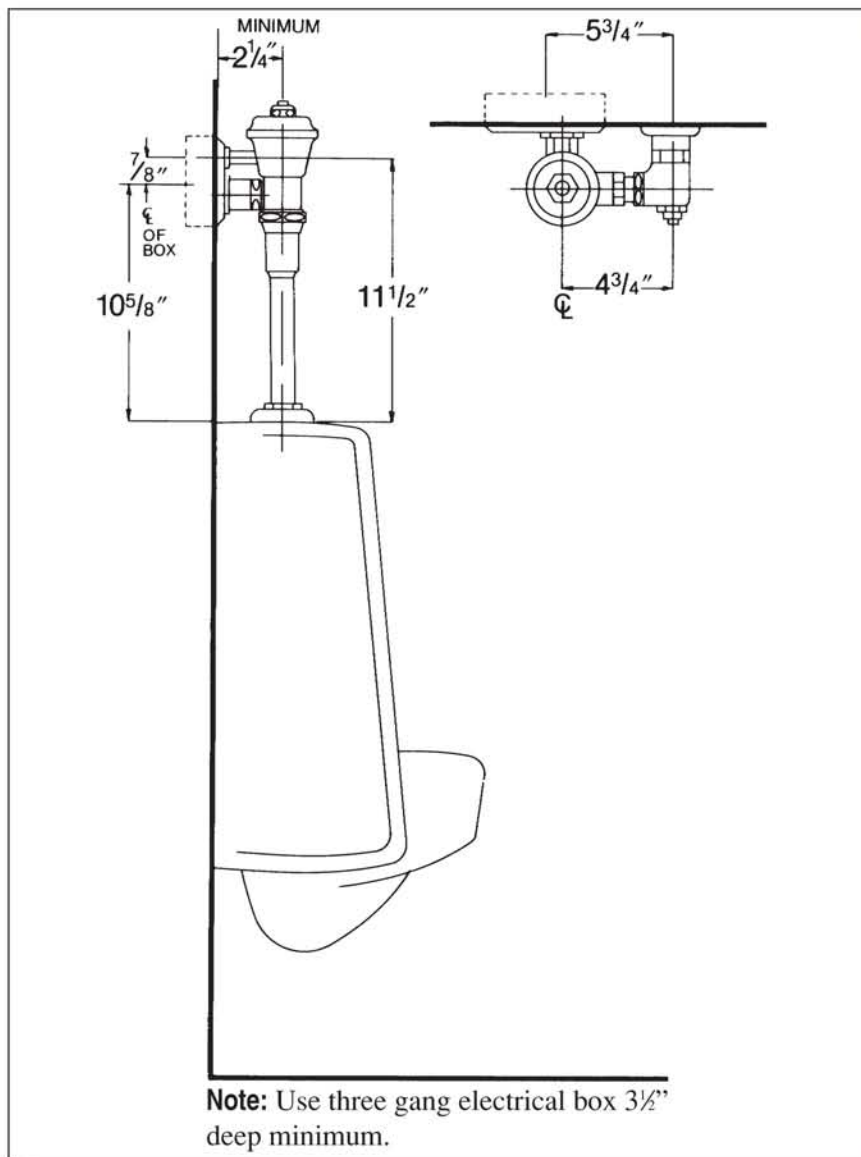
- 1.5 - Water saver equipment
- 3 - Water saver equipment
- H - Flush connection for 1 1/2" spud
- R - Wheel handle operated stop
- T6 - Heavy cast wall flange with allen head set screw
- T42 - Sweat adapter kit for stop

Electrical Requirements

- Sensor - Input 120V AC
- Output 120V AC
- Solenoid - 120V AC/60Hz (6.2Watts)

Remarks

* *For use with 1.0 gallon low consumption urinals*



Delany
FLUSH VALVES
SINCE 1879

Coyne and Delany Co.
P.O. Box 411 · Charlottesville · VA · 22902 · USA
Phone: (434) 296-0166 · Fax (434) 977-3596

Sensor operated polished chrome plated flush valve, diaphragm type, externally adjustable for water conservation, equipped with solenoid and sensor unit, with wall cover plate for electrical gang box with tamper-proof screws, with $\frac{3}{4}$ " capped screwdriver angle stop with back-check, renewable main valve seat, "Turn-to-Silence" equipment, with "Kwikfit" threaded union tailpiece, vacuum breaker, wall flange, spud nut and spud flange for $\frac{3}{4}$ " top spud. *UL Listed.*

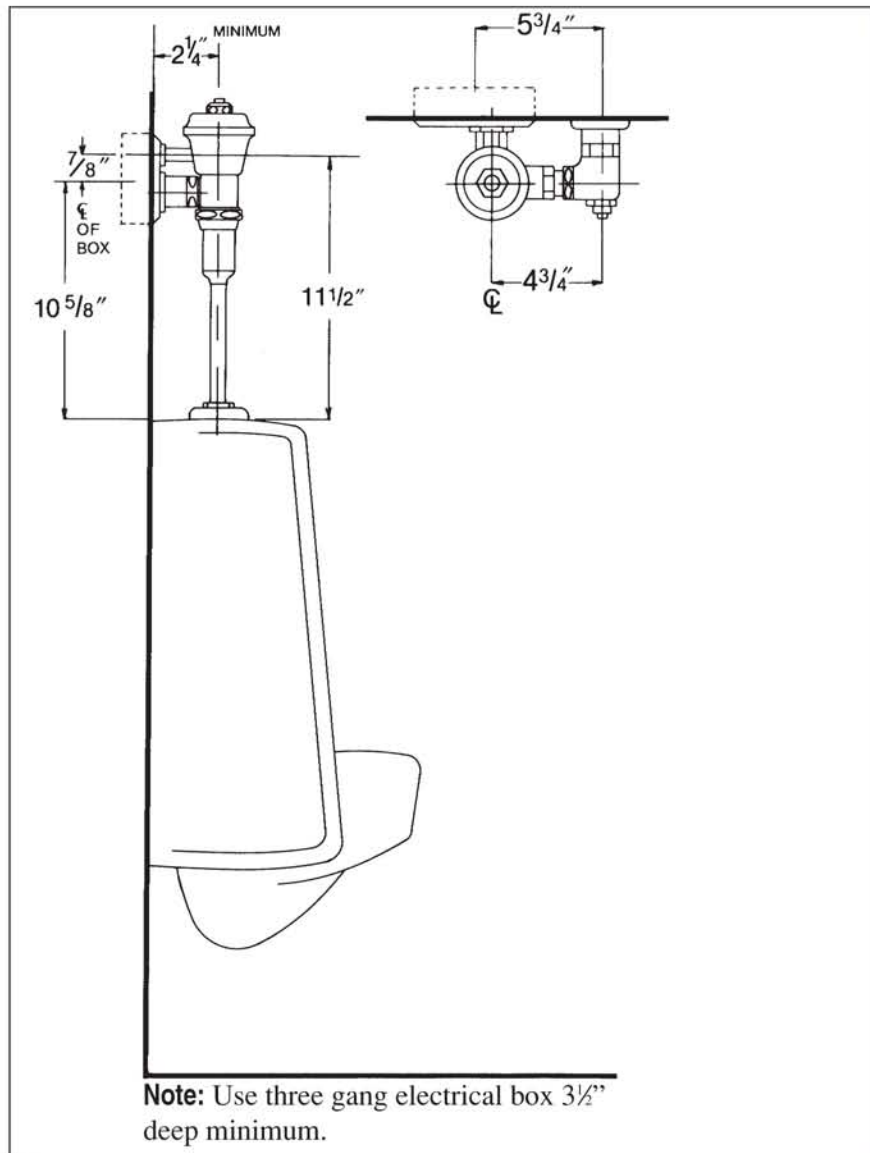
Variations

- O - Flush connection for $1\frac{1}{2}$ " spud
- R - Wheel handle operated stop
- T6 - Heavy cast wall flange with allen head set screw
- T42 - Sweat adapter kit for stop
-
-

Electrical Requirements

- Sensor - Input 120V AC
- Output 120V AC
- Solenoid - 120V AC/60Hz (6.2Watts)

Remarks



Delany
FLUSH VALVES
SINCE 1879

Coyne and Delany Co.
 P.O. Box 411 · Charlottesville · VA · 22902 · USA
 Phone: (434) 296-0166 · Fax (434) 977-3596

Sensor operated polished chrome plated flush valve, diaphragm type, 1.0 gallons per flush, externally adjustable for water conservation, equipped with solenoid and sensor unit, with wall cover plate for electrical gang box with tamper-proof screws, with 1" capped screwdriver angle stop with back-check, renewable main valve seat, "Turn-to-Silence" equipment, with "Kwikfit" threaded union tail-piece, vacuum breaker, wall flange, spud nut and spud flange for 1 1/4" top spud. *UL Listed.*

Variations

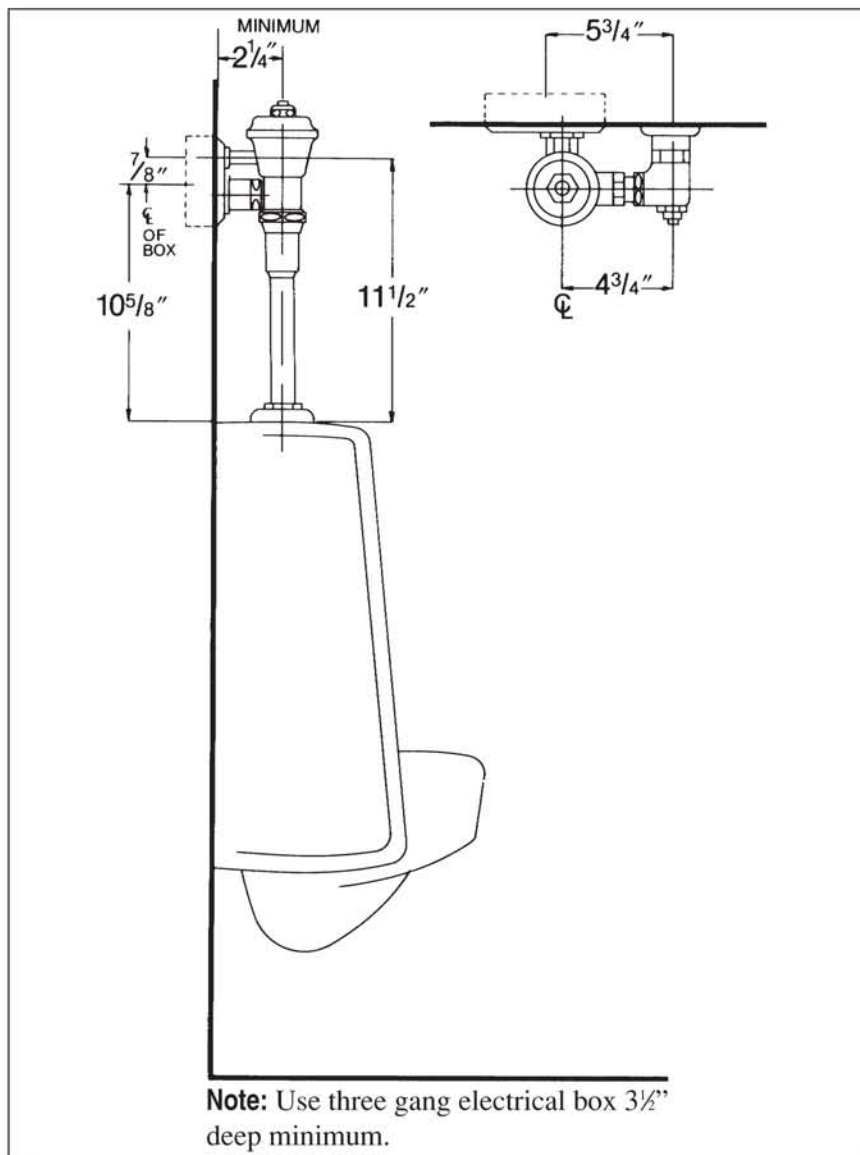
- 1.5 - Water saver equipment
- 3 - Water saver equipment
- H - Flush connection for 1 1/2" spud
- R - Wheel handle operated stop
- T6 - Heavy cast wall flange with allen head set screw
- T42 - Sweat adapter kit for stop

Electrical Requirements

- Sensor - Input 120V AC
- Output 120V AC
Solenoid - 120V AC/60Hz (6.2Watts)

Remarks

* For use with 1.0 gallon low consumption urinals



Delany
FLUSH VALVES
SINCE 1879

Coyne and Delany Co.
P.O. Box 411 · Charlottesville · VA · 22902 · USA
Phone: (434) 296-0166 · Fax (434) 977-3596

Sensor operated polished chrome plated flush valve, diaphragm type, externally adjustable for water conservation, equipped with solenoid and sensor unit, with wall cover plate for electrical gang box with tamper-proof screws, with 1" capped screwdriver angle stop with back-check, renewable main valve seat, "Turn-to-Silence" equipment, with "Kwikfit" threaded union tailpiece, vacuum breaker, wall flange, spud nut and spud flange for 1/2" top spud. *UL Listed.*

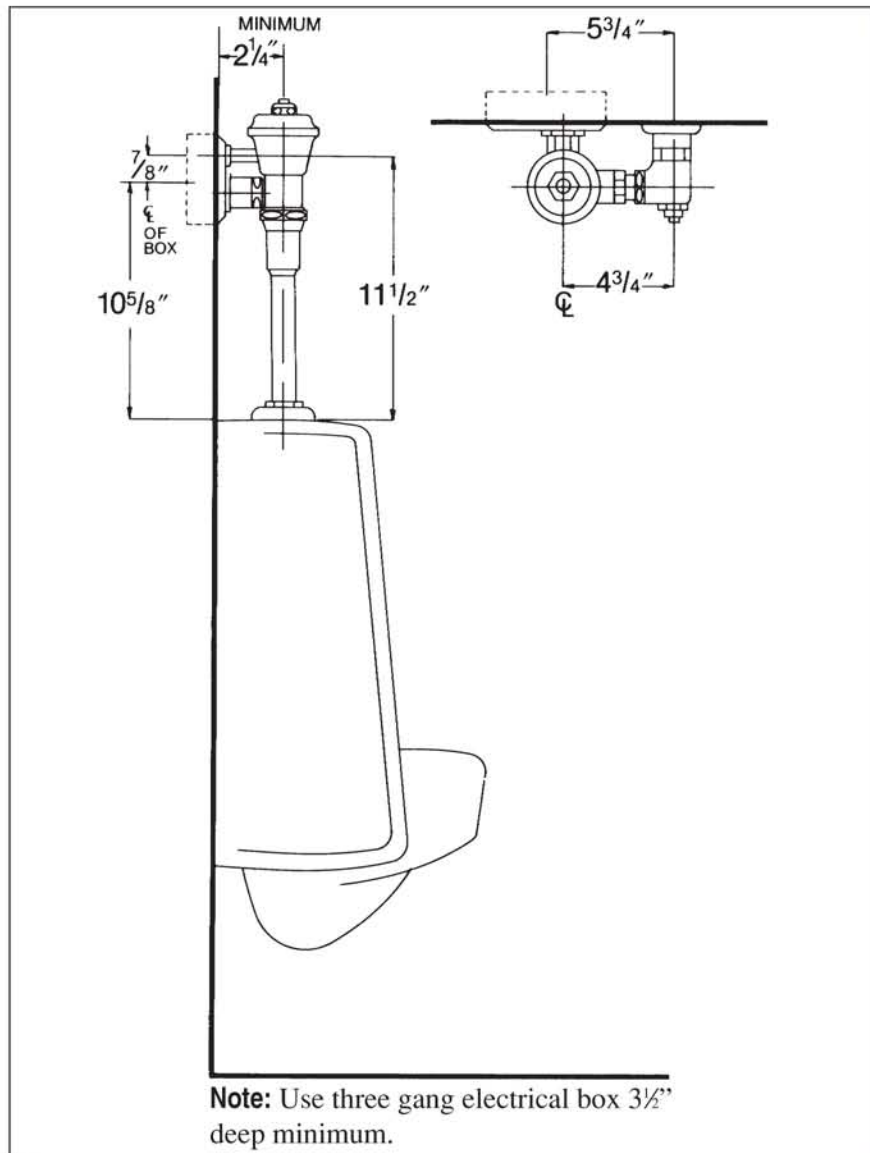
Variations

- 3 - Water saver equipment
- H - Flush connection for 1/2" spud
- R - Wheel handle operated stop
- T6 - Heavy cast wall flange with allen head set screw
- T42 - Sweat adapter kit for stop
-
-

Electrical Requirements

- Sensor - Input 120V AC
- Output 120V AC
- Solenoid - 120V AC/60Hz (6.2Watts)

Remarks



Delany
FLUSH VALVES
SINCE 1879

Coyne and Delany Co.
 P.O. Box 411 · Charlottesville · VA · 22902 · USA
 Phone: (434) 296-0166 · Fax (434) 977-3596