

Sensor operated polished chrome plated flush valve, diaphragm type, 1.6 gallons per flush, externally adjustable for water conservation, equipped with solenoid and sensor unit, with wall cover plate for electrical gang box with tamper-proof screws, with 1" capped screwdriver angle stop with back-check, renewable main valve seat, "Turn-to-Silence" equipment, with "Kwikfit" threaded union tailpiece, vacuum breaker, wall flange, spud nut and spud flange for 1½" top spud. *UL Listed.*

Variations

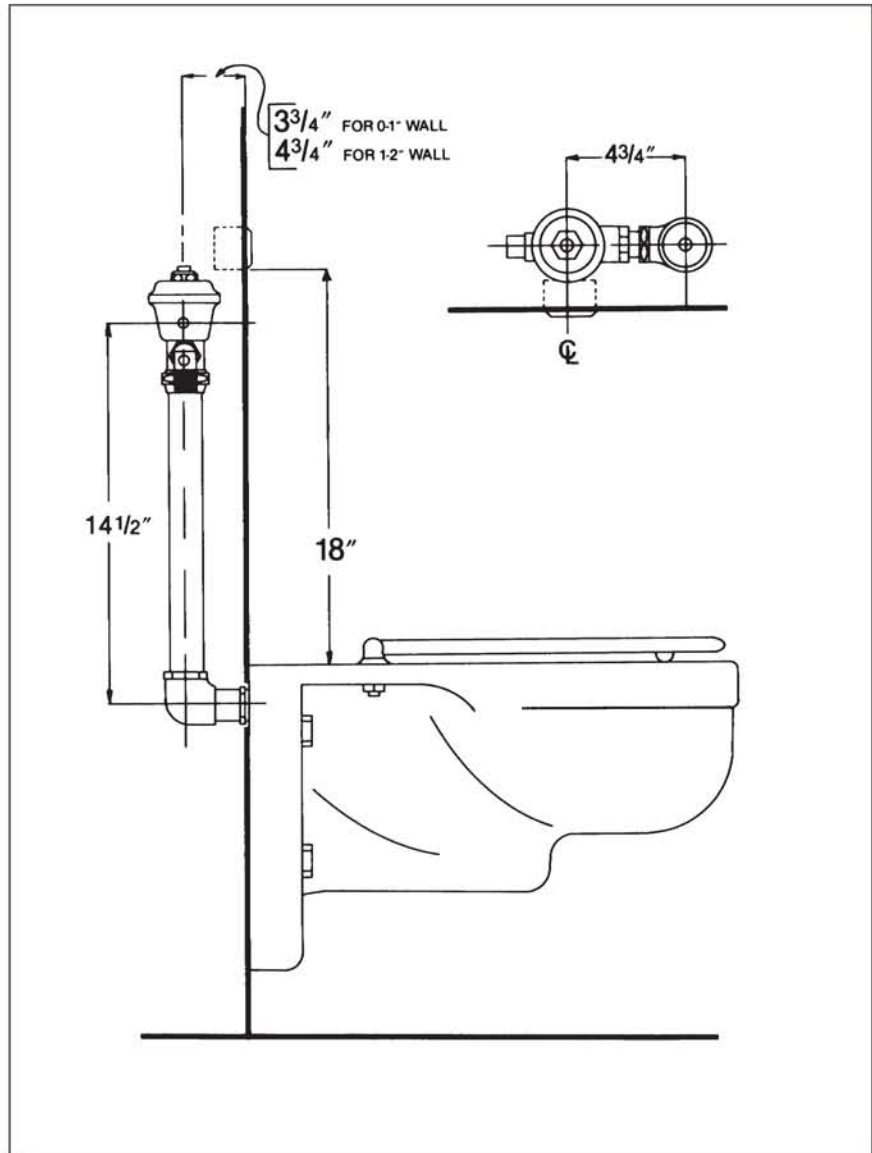
- 3 - Water saver equipment
- G - Bumper on angle stop (for seat without cover)
- T6 - Heavy cast wall flange with allen head set screw
- T8 - Sweat inlet stop
- T42 - Sweat adapter kit for stop

Electrical Requirements

- Sensor - Input 120V AC
- Output 120V AC
- Solenoid - 120V AC/60Hz (6.2Watts)

Remarks

* For use with 1.6 gallon low consumption water closet



Delany
FLUSH VALVES
SINCE 1879

Coyne and Delany Co.
P.O. Box 411 · Charlottesville · VA · 22902 · USA
Phone: (434) 296-0166 · Fax (434) 977-3596

Sensor operated concealed rough brass flush valve, diaphragm type, externally adjustable for water conservation, equipped with solenoid and sensor unit, with wall cover plate for electrical gang box with tamper-proof screws, with 1" wheel handle angle stop with back-check, renewable main valve seat, "Turn-to-Silence" equipment, with "Kwikfit" threaded union tail-piece, vacuum breaker, elbow flush connection for 1½" exposed back spud, wall flange, spud nut and spud flange. All exposed parts polished chrome. *UL Listed.*

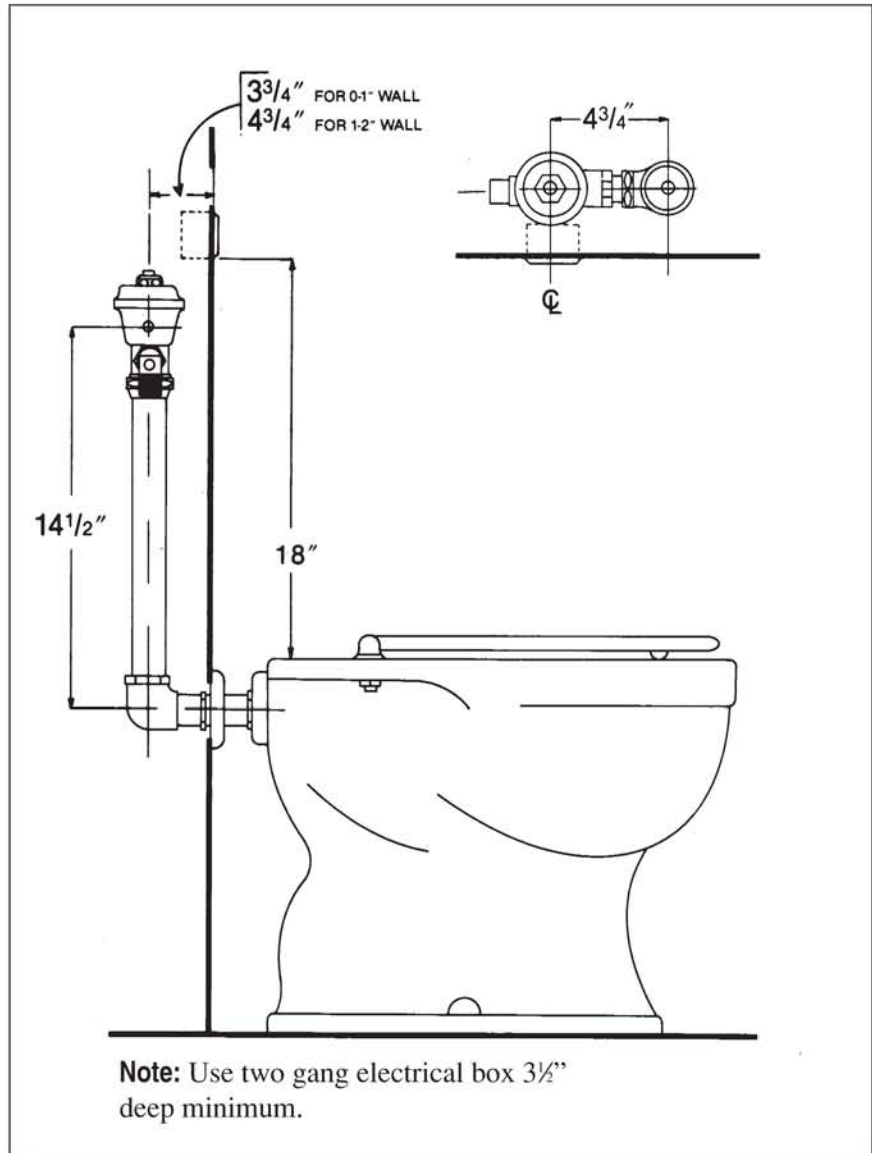
Variations

- 3 - Water saver equipment
- A - Screwdriver operated stop
- T6 - Heavy cast wall flange with allen head set screw
- T8 - Sweat inlet stop
- T42 - Sweat adapter kit for stop
- Y - 1" Straight stop

Electrical Requirements

- Sensor - Input 120V AC
- Output 120V AC
- Solenoid - 120V AC/60Hz (6.2Watts)

Remarks



Delany
FLUSH VALVES
SINCE 1879

Sensor operated concealed rough brass flush valve, diaphragm type, externally adjustable for water conservation, equipped with solenoid and sensor unit, with wall cover plate for electrical gang box with tamper-proof screws, with 1" wheel handle angle stop with back-check, renewable main valve seat, "Turn-to-Silence" equipment, with "Kwikfit" threaded union tail-piece, vacuum breaker, double elbow flush connection for 1½" exposed top spud, wall flange, spud nut and spud flange. All exposed parts polished chrome, wall plate in brushed stainless steel. *UL Listed.*

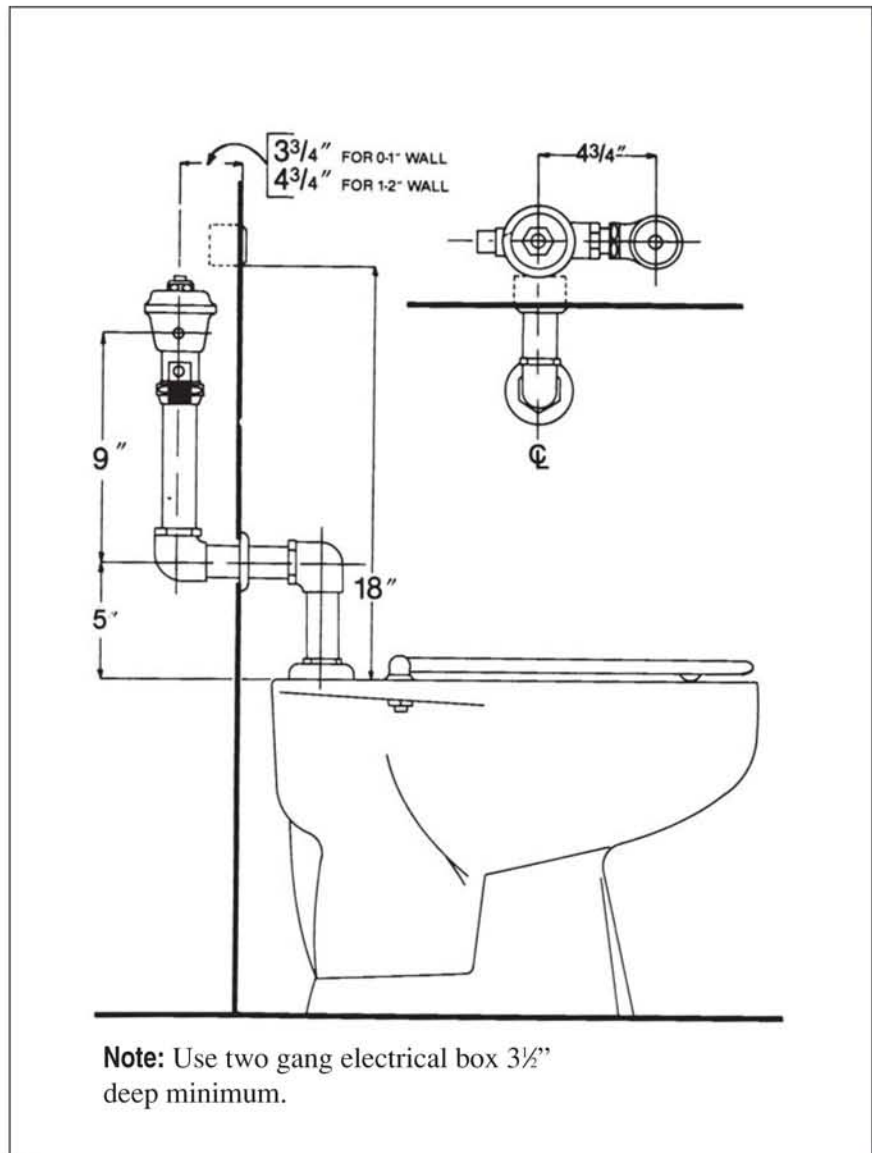
Variations

- 3 - Water saver equipment
- A - Screwdriver operated stop
- T6 - Heavy cast wall flange with allen head set screw
- T8 - Sweat inlet stop
- T42 - Sweat adapter kit for stop
- Y - 1" Straight stop
-
-

Electrical Requirements

- Sensor - Input 120V AC
- Output 120V AC
- Solenoid - 120V AC/60Hz (6.2Watts)

Remarks



Delany
FLUSH VALVES
SINCE 1879

Coyne and Delany Co.
 P.O. Box 411 · Charlottesville · VA · 22902 · USA
 Phone: (434) 296-0166 · Fax (434) 977-3596

Sensor operated concealed rough brass flush valve, diaphragm type, externally adjustable for water conservation, equipped with solenoid and sensor unit, with wall cover plate for electrical gang box with tamper-proof screws, with 1" wheel handle angle stop with back-check, renewable main valve seat, "Turn-to-Silence" equipment, with "Kwikfit" threaded union tail-piece, vacuum breaker, elbow flush connection for 1½" exposed back spud, wall flange, spud nut and spud flange. All exposed parts polished chrome. *UL Listed.*

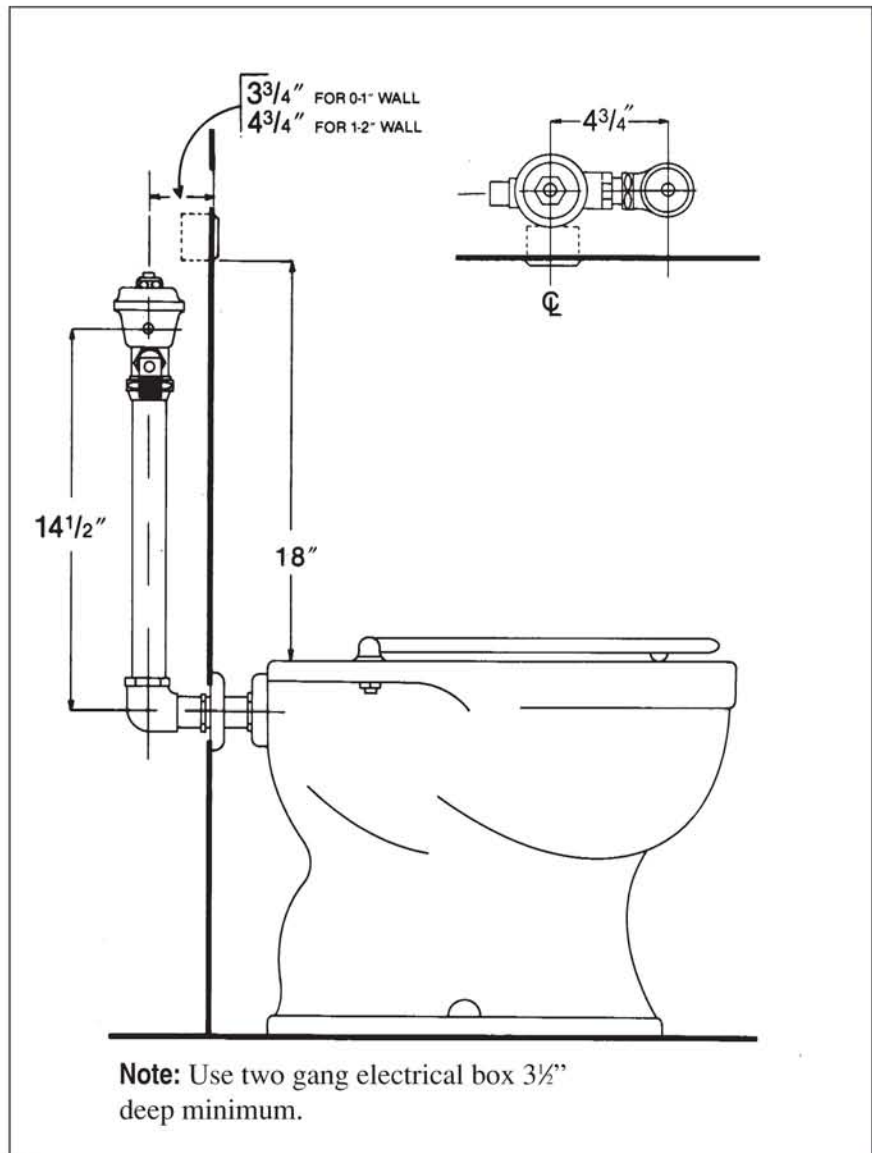
Variations

- 3 - Water saver equipment
- A - Screwdriver operated stop
- T6 - Heavy cast wall flange with allen head set screw
- T8 - Sweat inlet stop
- T42 - Sweat adapter kit for stop
- Y - 1" Straight stop

Electrical Requirements

- Sensor - Input 120V AC
- Output 120V AC
- Solenoid - 120V AC/60Hz (6.2Watts)

Remarks



Delany
FLUSH VALVES
SINCE 1879

Coyne and Delany Co.
 P.O. Box 411 · Charlottesville · VA · 22902 · USA
 Phone: (434) 296-0166 · Fax (434) 977-3596