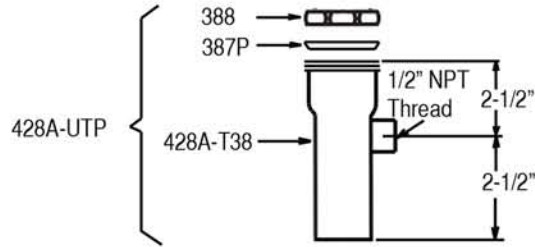
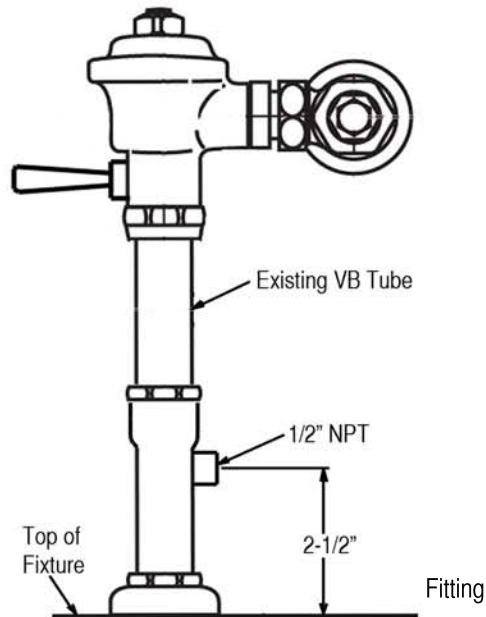


1-1/2" Universal Trap Primer (UTP)



Installation Instructions



- 1- Remove VB tube from fixture and flush valve.
- 2- Insert UTP into spud of fixture, the 1/2" fitting can be installed facing in any direction.
- 3- Cut 1-3/4" off the end of the existing VB tube.
- 4- Insert VB tube into the UTP and tighten 426 cowl nut, 386 spud nut and the UTP coupling nut.