

U455-1.28

LOW CONSUMPTION TOILET FLUSH VALVE (1.28 gpf / 4.8 Lpf per Flush)

ULTRA w/ Bedpan Diverter

Description

Polished chrome plated diaphragm operated flush valve with Delany Bedpan Diverter valve for 1-1/2" top spud water closets.

Flush Cycle

1.28 gpf / 4.8 Lpf Low Consumption

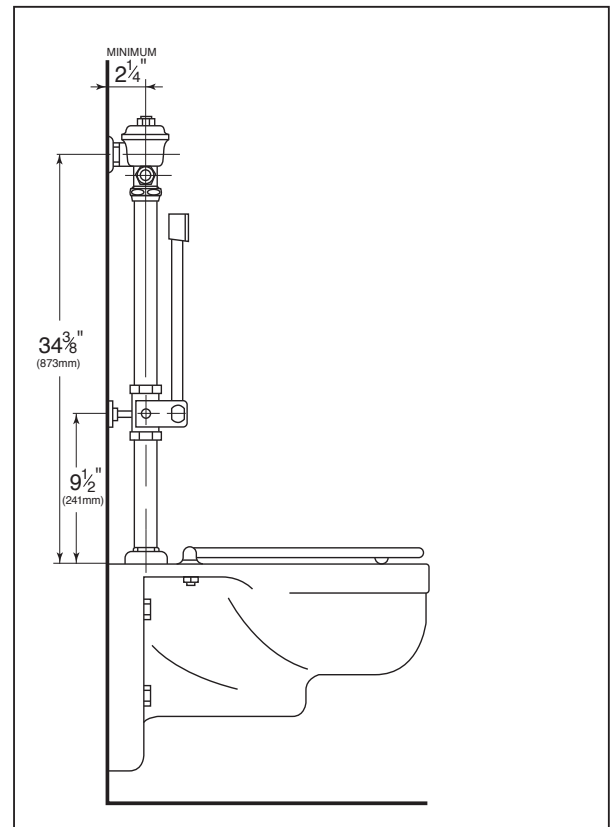
Specification

- Regulating screw for "True-in-the-Field" water conservation.
- ADA compliant "Rubberflex" oscillating handle assembly.
- Renewable main valve seat.
- 1" vandle resistant capped screwdriver angle stop with back-check.
- Sweat adapter kit.
- SlipFit adjustable tailpiece.
- Delany Bedpan Diverter Spray Arm
- Vacuum breaker w/ 34-3/8" rough-in flush connection
- Wall flange, spud nut and spud flange for 1-1/2 top spud.
- All rubber parts molded of chloramine resistant rubber.

Variations

- AM - Ultra-Violet Shield antimicrobial coating for handle
- SH - SmartHandle Dual-Flush with Antimicrobial Coating
- SM - SideArm (Side Mounted Sensor Actuator)
- T5 - Non-Hold-Open Feature
- T36 - Solid ring wall support for flush connection
- T46 - Split ring wall support for flush connection
- VPS - Vandal Proof Control Stop with Key

Valve is certified to be in compliance to the applicable sections of ASSE 1037 and ANSI/ASME 112.19.2



ASSE 1037

