

# U463-1.28

## HIGH EFFICIENCY TOILET FLUSH VALVE (1.28 gpf / 4.8 Lpf)

### ULTRA Bedpan Diverter for 26-1/2" Rough-in

#### Description

Polished chrome plated diaphragm operated flush valve with Delany Bedpan Diverter valve for 1-1/2" top spud water closets.

#### Flush Cycle

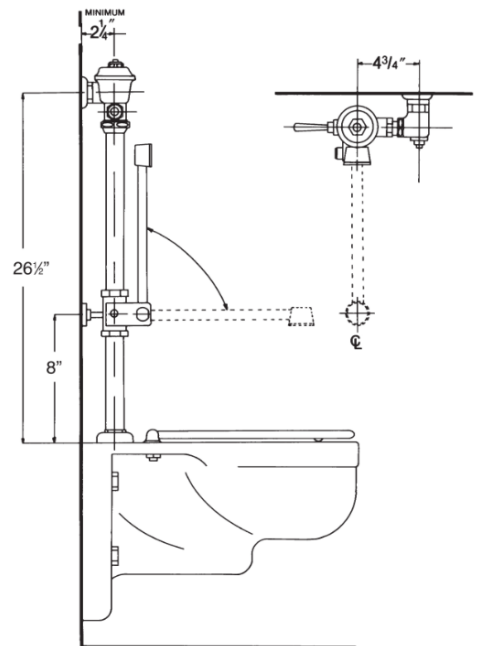
1.28 gpf / 4.8 Lpf High Efficiency

#### Specification

- Regulating screw for "True-in-the-Field" water conservation
- 1" vandle proof TruStop ball valve designed angle control stop with TruChek.
- Removeable main valve seat.
- ADA compliant metal "Rubberflex" oscillating handle.
- All rubber material made of chloramine resistant material
- Slip-Joint adjustable tailpiece.
- Sweat adapter kit.
- Delany Bedpan Diverter Spray Arm
- Vacuum breaker flush connection assembly for 26-1/2" rough-in
- Wall flange, spud nut and spud flange for 1-1/2" top spud

#### Variations

- AM - Antimicrobial Coated Handle
- SH - SmartHandle Dual-Flush with Antimicrobial Coating
- SM - SideArm (Side Mounted Sensor Actuator)
- T5 - Non-Hold-Open Feature
- T6 - Wall flange with allen set screw
- T36 - Solid ring wall support for flush connection
- T46 - Split ring wall support for flush connection
- VPS - Vandal Proof Control Stop with Key
- Logo - Customized Cover Cap w/ Logo



Valve is certified to be in compliance to the applicable sections of ASSE 1037 and ANSI/ASME 112.19.2



ASSE 1037

