

ULTRA Concealed Security

Description

Concealed rough brass diaphragm operated flush valve for security fixture with 1.5" concealed back spud.

Flush Cycle

1.28 gpf / 4.8 Lpf High Efficiency

Specification

- Regulating screw for "True-in-the-Field" water conservation.
- 1" vandale resistant capped screwdriver angle stop with back-check.
- Sweat adapter kit.
- Renewable main valve seat.
- Metal "Rubberflex" 1/2" pushbutton through wall assembly.
- 1.5" x 22.5" vacuum breaker flush connection for back entry.
- SlipFit connection tailpiece.
- All rubber parts molded of chloramine resistant rubber.
- All exposed parts chrome plated.

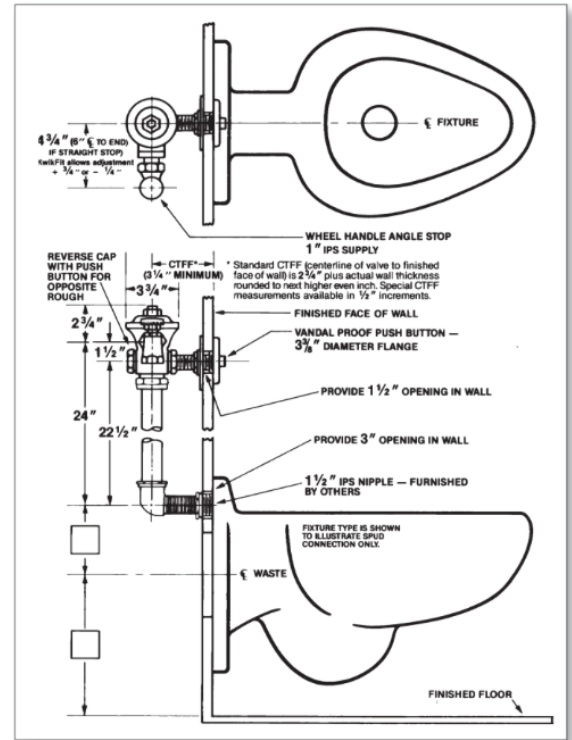
Variations

- T48 - Valve for use with an access panel
- TS - TruStop 1" Angle Control Stop

Access Panels Supplied by Others

* Wall Size Required at time of Order. Size Range from 1" to 12"
Pricing will vary based upon size. *

Valve is certified to be in compliance to the applicable sections of ASSE 1037 and ANSI/ASME 112.19.2



Recommended For: Penal or heavier duty installations where vandalism and abuse are common. No parts of valve can be removed from front face of wall. Access to rear of wall for future service of valve and vacuum breaker must be provided.



ASSE 1037