

TruSABER

Description

Exposed chrome plated flush valve for 1-1/2" top spud floor mounted or wall hung water closets w/ TruStop

Flush Cycle

1.28gpf / 4.8Lpf High Efficiency

Specification

- Recessed hex-nut for scratch-proof cover
- Regulating screw for "True-in-the-Field" water conservation.
- Mashaerator self-cleaning bypass diaphragm.
- 1" Vandal proof TruStop ball valve designed angle control stop with TruChek.
- Sweat adapter kit.
- Renewable main valve seat.
- ADA compliant metal "Rubberflex" oscillating handle.
- Slip-Joint adjustable tailpiece.
- 1.5" x 9" vacuum breaker flush connection.
- Wall flange, spud nut and spud flange for 1.5" top spud.
- All rubber parts molded of chloramine resistant rubber

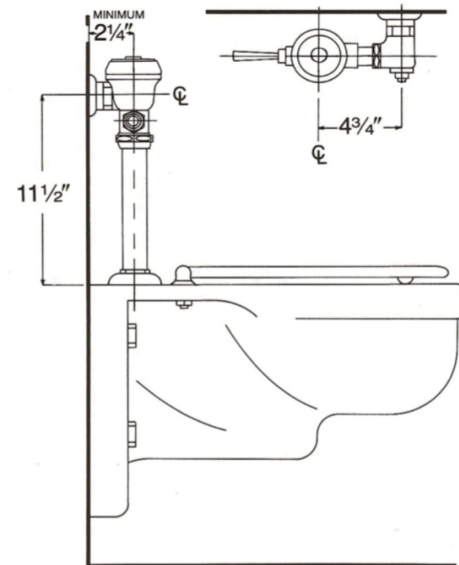
Variations

- AM - Antimicrobial Coated Handle
- SH - SmartHandle Dual-Flush with Antimicrobial Coating
- SM - SideArm (Side Mounted Sensor Actuator)
- T36 - Solid ring wall support for flush connection
- Logo - Customized Cover Cap w/ Logo

Valve is certified to be in compliance to the applicable sections of ASSE 1037 and ANSI/ASME 112.19.2



Patented TruStop Control Stop



ASSE 1037

