

UP451-1

LOW CONSUMPTION URINAL FLUSH VALVE
(1 gpf / 3.8 Lpf per Flush)

ULTRA Plus

Description

Exposed chrome plated flush valve for 0.75" top spud Urinals.

Flush Cycle

1 gpf / 3.8 Lpf Low Consumption

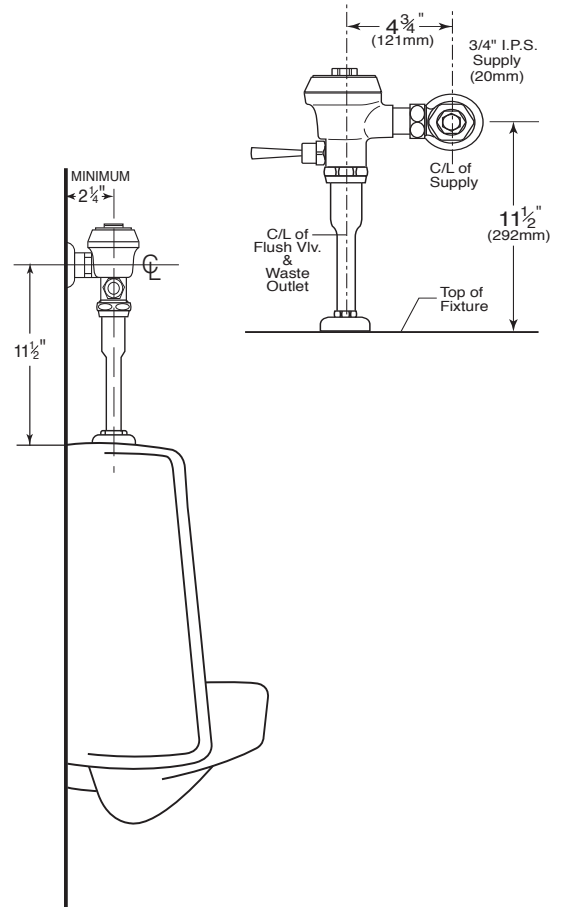
Specification

- Regulating screw for "True-in-the-Field" water conservation.
- Mashaerator self-cleaning bypass diaphragm.
- ADA compliant metal "Rubberflex" oscillating handle.
- Renewable main valve seat.
- 1" vandle resistant capped screwdriver angle stop with back-check.
- Sweat adapter kit.
- SlipFit adjustable tailpiece.
- 3/4" x 9" vacuum breaker flush connection.
- Wall flange, spud nut and spud flange for 3/4" top spud.
- All rubber parts molded of chloramine resistant rubber.

Variations

- AM – Antimicrobial Coated Handle
- G – Bumper on angle stop (for seat without cover)
- T5 – Non-Hold-Open Feature
- T6 – Wall flange with allen set screw
- T36 – Solid ring wall support for flush connection
- T46 – Split ring wall support for flush connection
- TS - TruStop - Ball valved designed Control Stop
- VPS – Vandal Proof Control Stop with Key

Valve is certified to be in compliance to the applicable sections of ASSE 1037 and ANSI/ASME 112.19.2



ASSE 1037

