

### EMPIRE HYDRO-FLUSH CONCEALED

#### Description

Concealed rough brass flush valve, piston operated, hydraulically activated for 1.5" back entry wall hung or floor mounts water closets.

#### Flush Cycle

1.28 gpf / 4.8 Lpf High Efficiency

#### Specification

- Nickle plated solid brass piston cartridge.
- Mashaerator self-cleaning bypass.
- 1" wheel handled operated angle stop with back-check.
- ADA compliant hydro-flush actuator with pushbutton through the wall assembly. (or replaced by fixture manufacturer)
- 1.5" x 12" vacuum breaker with elbow flush connection for 1.5" back entry.
- SlipFit adjustable tailpiece.
- Sweat adapter kit.
- All rubber parts molded of chloramine resistant rubber.
- All exposed parts chrome plated.

#### Variations

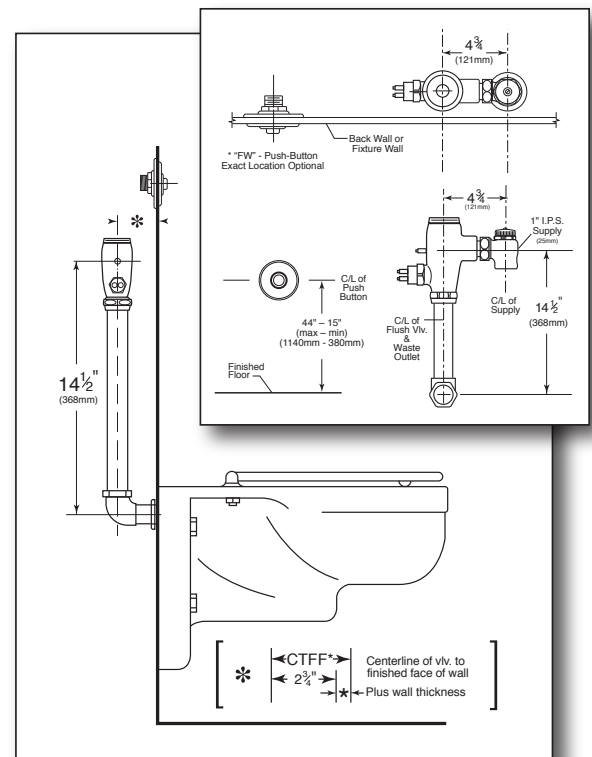
- C - 3" Oscillating Disc
- GJ - Ground Joint Connection
- J - Screwdriver operated cotrol stop
- T48 - Valve for use with an access panel
- TS - TruStop 1" Angle Control Stop

\*Access Panels Supplied by Others\*

\* Wall Size Required at time of Order. Size Range from 1" to 12"  
Pricing will vary based upon size. \*

Valve shall be in compliance to the applicable sections of ASSE 1037

Empire 1234



ASSE 1037

