

E451-0.5

HIGH EFFICIENCY URINAL FLUSH VALVE (0.5gpf / 1.9Lpf per Flush)

EMPIRE

Description

Exposed chrome plated flush valve for floor mounted or wall hung top spud urinals.

Flush Cycle

0.5 gpf / 1.9Lpf High Efficiency

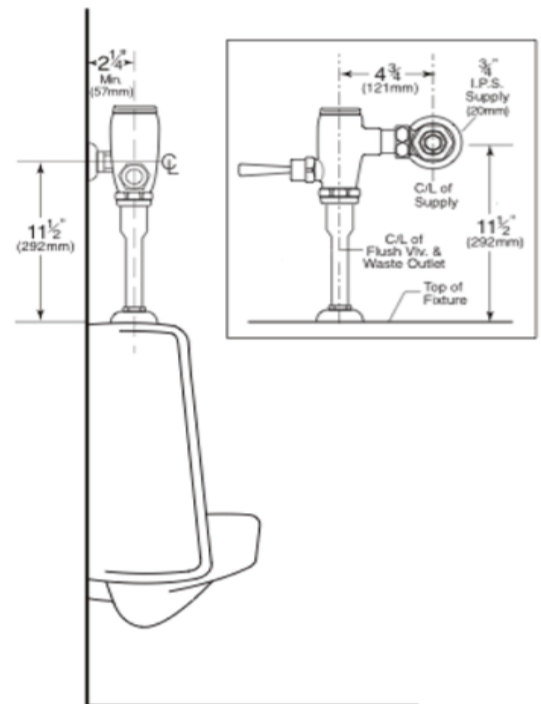
Specification

Chrome plated closet flush valve for left or right hand supply with the following features.

- Chloramine resistant Self Cleaning Piston.
- 1" vandle resistant capped screwdriver angle stop with back-check.
- Sweat adapter kit.
- ADA compliant metal "Rubberflex" oscillating handle.
- Slip-Joint adjustable tailpiece.
- 0.75" x 9" vacuum breaker flush connection.
- Wall flange, spud nut and spud flange for 1.5" top spud.
- All rubber parts molded of chloramine resistant rubber

Variations

- AM - Antimicrobial Coated Handle
- SM - SideArm (Side Mounted Sensor Actuator)
- T6 - Wall flange with allen set screw
- T36 - Solid ring wall support for flush connection
- T46 - Split ring wall support for flush connection
- TS - TruStop - Ball valve designed Control Stop
- VPS - Vandal Proof Control Stop with Key



ASSE 1037



Certified by
CSA Group