

### Empire w/ Bedpan Diverter

#### Description

Polished chrome plated piston operated flush valve with Delany Bedpan Diverter valve for 1-1/2" top spud water closets.

#### Flush Cycle

1.6 gpf / 6 Lpf Low Consumption

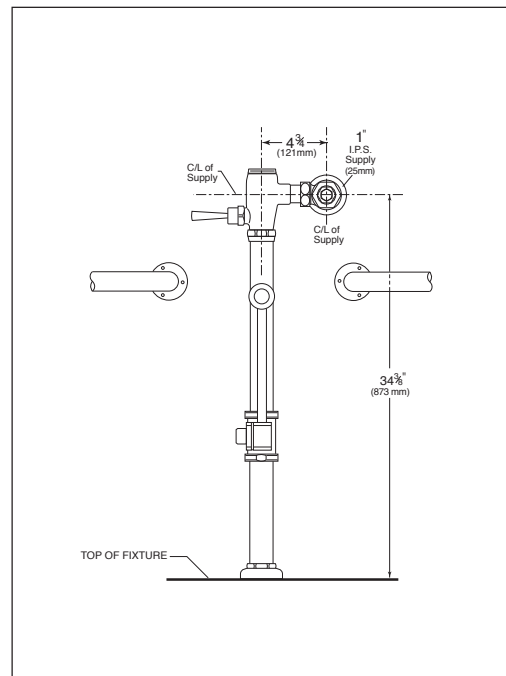
#### Specification

- Nickel plated solid brass piston cartridge.
- Mashaerator self-cleaning diaphragm.
- ADA compliant "Rubberflex" oscillating handle assembly.
- 1" vandle resistant capped screwdriver angle stop with back-check.
- Sweat adapter kit.
- SlipFit adjustable tailpiece.
- Delany Bedpan Diverter Spray Arm
- Vacuum breaker w/ 3/4-3/8" rough-in flush connection
- Wall flange, spud nut and spud flange for 1-1/2 top spud.
- All rubber parts molded of chloramine resistant rubber.

#### Variations

- AM - Ultra-Violet Shield antimicrobial coating for handle
- SH - SmartHandle Dual-Flush with Antimicrobial Coating
- SM - SideArm (Side Mounted Sensor Actuator)
- T36 - Solid ring wall support for flush connection
- T46 - Split ring wall support for flush connection
- TS - TruStop - Ball Valve Designed Control Stop
- VPS - Vandal Proof Control Stop with Key

Valve is certified to be in compliance to the applicable sections of ASSE 1037 and ANSI/ASME 112.19.2



ASSE 1037

