

E479-1.6

LOW CONSUMPTION SQUAT FLUSH VALVE (1.6 gpf / 6 Lpf per Flush)

EMPIRE

Description

Chrome plated, piston operated, exposed flush valve with back entry for Eastern Water Closet.

Flush Cycle

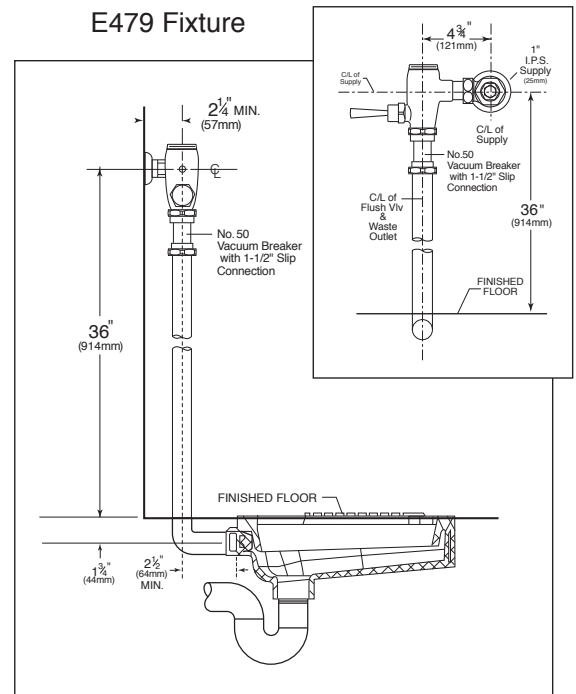
1.6 gpf / 6 Lpf Low Consumption

Specification

- Piston Operated
- Nickel plated solid brass piston cartridge
- Masherator self-cleaning piston cartridge.
- Non-hold-open feature.
- ADA compliant metal "Rubberflex" oscillating handle.
- With 1" vandle resistant capped screwdriver angle control stop with back-check.
- SlipFit connection adjustable tailpiece.
- Sweat adapter kit.
- Short pattern vacuum breaker.
- 1.5" x 36" vacuum breaker flush connection with elbow for back entry Squat Toilets.
- All rubber parts made from chloramine resistant material

Variations

- AM - Antimicrobial Coated Handle
- O - 1-1/4" Flush Connection
- SQT8 - 1-1/2" x 36" x 8" vacuum breaker flush connection with elbow for back entry
- T5 - Non-Hold-Open Feature
- T6 - Wall flange with allen set screw
- T36 - Solid ring wall support for flush connection
- T46 - Split ring wall support for flush connection
- TS - TruStop - Ball Valve designed Control Stop
- VPS - Vandal Proof Control Stop with Key



ASSE 1037

P.O. Box 411 • Charlottesville • VA • 22902 • USA Phone: (434) 296-0166 • Fax (434) 977-3596
Email: info@delanyproducts.com Web: www.delanyproducts.com ©2018 v3