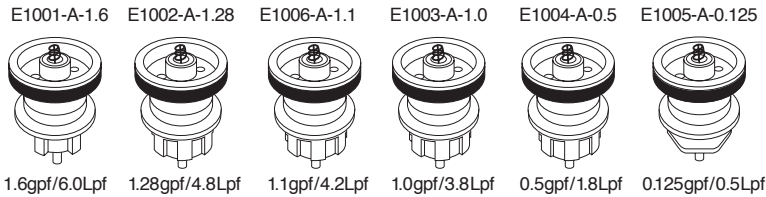
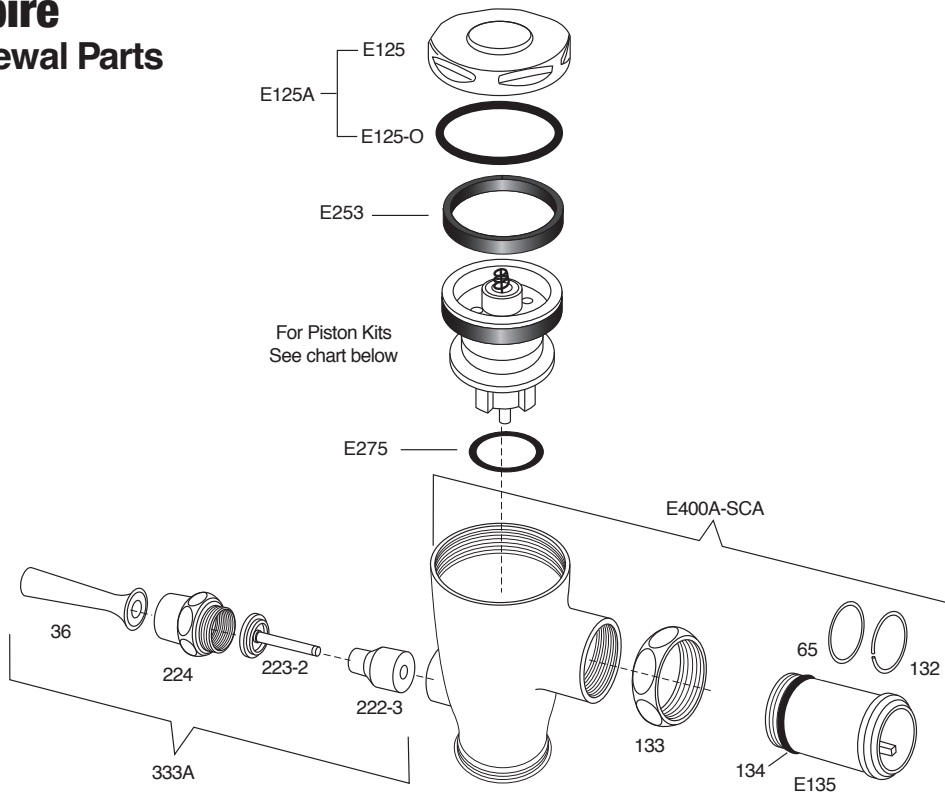


Delany Empire

Genuine Renewal Parts



Piston Kit Assemblies for Empire Valve	
E1001A-1.6	Piston Water Closet Assembly (1.6gpf / 6.0Lpf)
E1002A-1.28	Piston Water Closet Assembly (1.28gpf / 4.8Lpf)
E1006A-1.1	Piston Water Closet Assembly (1.1gpf / 4.2Lpf)
E1003A-1.0	Piston Urinal Assembly (1.0gpf / 3.8Lpf)
E1004A-0.5	Piston Urinal Assembly (0.5gpf / 1.8Lpf)
E1005A-0.125	Piston Urinal Assembly (0.125gpf / 0.5Lpf)

Partial Assemblies	
E125A	Cover Assembly
333A	Handle Assembly
*E400-ARA	Valve Body Assembly for Empire Vlv (w/standard length No. E135 part)
*E4600A-SCA	Valve Body Assembly for Concealed Empire Hydro-Flush w/ standard length No. E135 part
Individual Parts	
36	Handle
E125	Cover
E125-O	Cover O-ring
65	O-ring
132	Clamping ring
133	Union nut
E134	O-ring for union tailpiece

Individual Parts (Continued)	
**E135	Slip connection union tailpiece, 2" standard length overall (allows 4 1/2" to 5 1/2" centers. Complete with No.131, No.132 & No.E134 parts)
222-3	Rubberflexer
223-2	Operating stem
224	Handle nut
E253	Piston cup washer
E275	Seat guide washer
** SlipFit Union Tailpieces	
Special lengths are available as follows:	
E135-1	SlipFit union tailpiece, 3" overall length (allows 5 1/2" to 6 1/2" centers Complete w/ No. 65, No.132 & No. E134 parts)
E135-2	SlipFit union tailpiece, 4" overall length (allows 6 1/2" to 7 1/2" centers Complete w/ No. 65, No.132 & No. E134 parts)
E135-3	SlipFit union tailpiece, 5" overall length (allows 7 1/2" to 8 1/2" centers Complete w/ No. 65, No.132 & No. E134 parts)