

PL1402-1.6-DF

AUTOMATIC DUAL FLUSH FLUSH VALVE (1.6/1.1 gpf & 6.0/4.2 Lpf per Flush)

Pulsar V2.0 Dual-Flush

Description

Battery powered, sensor activated automatic dual flush, diaphragm operated, chrome plated exposed flush valve for 1-1/2" for top spud water closet.

Flush Cycle

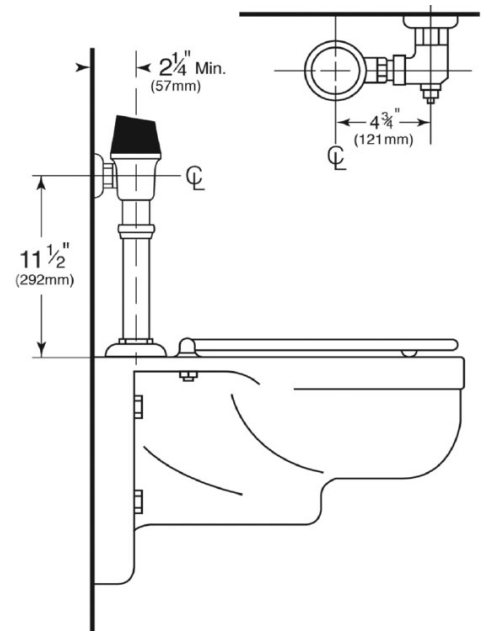
Regular Delivery: 1.6 gpf/6.0 Lpf for Solid Waste flushing cycle.
Short Delivery: 1.1 gpf/4.2 Lpf for Liquids flushing cycle.

Specification

- SmartChoice Technology software provides field adjustability for True-in-the-Field Water Conservation
- Automatic Dual Flush determines flush volume for water saving.
- 6 Volt DC non-latching solenoid valve
- 6 Volt DC lithium battery (2CR5 type)
- Infrared sensor with Dual Infrared Transmitter Technology
- Field adjustable range
- Chloramine resistant diaphragm.
- Arming delay of 10 seconds prevents unintentional flushes.
- Electronic courtesy flush push button.
- Renewable main valve seat.
- 1" vandal resistant capped screwdriver angle stop with back-check.
- Sweat Adapter Kit
- Vacuum Breaker w/ 9" flush connection.
- Wall flange, spud nut and spud flange for 1-1/2" top spud.
- All rubber parts molded of chloramine resistant rubber.

Variations

- GJ - Ground Joint Tailpiece
- SC - SlipFit Connection (adjustable joint tailpiece)
- G - Bumper on angle stop (for seat without cover)
- T6 - Wall flange with allen set screw.
- T36 - Solid ring wall support for flush connection
- T46 - Split ring wall support for flush connection
- TS - TruStop - Ball valve designed Control Stop
- VPS - Vandal Proof Control Stop with Key



Note: Min. roughing height 10 1/2" centerline of supply to top of fixture.

