

# PL1402-1.6

LOW CONSUMPTION TOILET FLUSH VALVE  
(1.6 gpf / 6 Lpf per flush)

## Pulsar

### Description

Battery powered, sensor activated, diaphragm operated, chrome plated exposed flush valve for 1-1/2" floor mounted or wall hungtop spud water closet.

### Flush Cycle

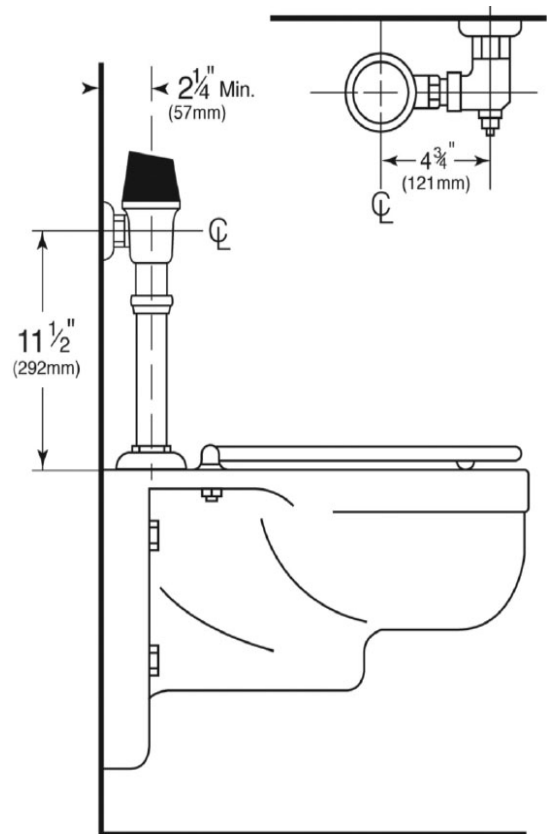
1.6 gpf / 6 Lpf Low Consumption

### Specification

- SmartChoice Technology software provides field adjustability for True-in-the-Field Water Conservation
- 6 Volt DC non-latching solenoid valve
- 6 Volt DC lithium battery (2CR5 type)
- Infrared sensor with Dual Infrared Transmitter Technology
- Field adjustable range
- Chloramine resistant diaphragm.
- Arming delay of 10 seconds prevents unintentional flushes.
- Electronic courtesy flush push button.
- Renewable main valve seat.
- 1" vandal resistant capped screwdriver angle stop with back-check.
- Sweat Adapter Kit
- Vacuum Breaker w/ 9" flush connection.
- Wall flange, spud nut and spud flange for 0.75" top spud.
- All rubber parts molded of chloramine resistant rubber.

### Variations

- GJ - Ground Joint Tailpiece
- SC - SlipFit Connection (adjustable joint tailpiece)
- G - Bumper on angle stop (for seat without cover)
- T6 - Wall flange with allen set screw.
- T36 - Solid ring wall support for flush connection
- T46 - Split ring wall support for flush connection
- TS - TruStop - Ball valve designed Control Stop
- VPS - Vandal Proof Control Stop with Key



**Note:** Min. roughing height 10 1/2" centerline of supply to top of fixture.



P.O. Box 411 • Charlottesville • VA • 22902 • USA Phone: (434) 296-0166 • Fax (434) 977-3596  
Email: info@delanyproducts.com Web: www.delanyproducts.com ©2016 v1

