

SABER Bedpan Diverter

Description

Polished chrome plated diaphragm operated flush valve with Delany Bedpan Diverter valve for 1-1/2" top spud water closets.

Flush Cycle

1.6gpf / 6.0Lpf Low Consumption

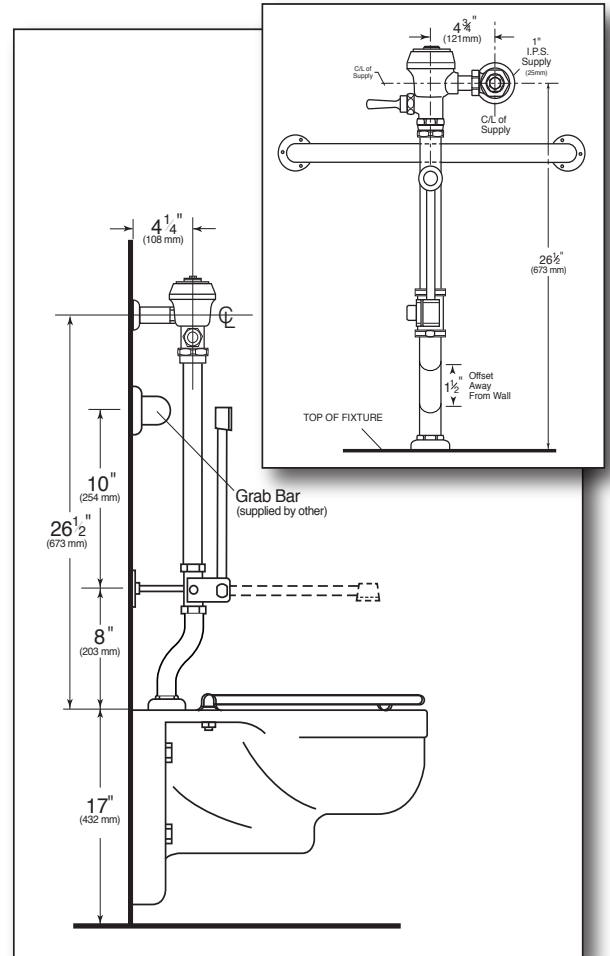
Specification

- Scratch Proof Recessed Hex-nut designed cover
- Regulating screw for "True-in-the-Field" water conservation
- Mashaerator self-cleaning bypass diaphragm
- With 1" vandle resistant capped screwdriver angle stop with back-check.
- Removeable main valve seat.
- ADA compliant metal "Rubberflex" oscillating handle.
- All rubber material made of chloramine resistant material
- Slip-Joint adjustable tailpiece.
- Sweat adapter kit.
- Delany Bedpan Diverter Spray Arm
- Vacuum breaker w/ 26-1/2" flush connection & 1-1/2" offset
- Wall flange, spud nut and spud flange for 1-1/2" top spud

Variations

- AM - Antimicrobial Coated Handle
- SH - SmartHandle Dual-Flush with Antimicrobial Coating
- SM - SideArm (Side Mounted Sensor Actuator)
- T5 - Non-Hold-Open Feature
- T6 - Wall flange with allen set screw
- T36 - Solid ring wall support for flush connection
- T46 - Split ring wall support for flush connection
- VPS - Vandal Proof Control Stop with Key
- Logo - Customized Cover Cap w/ Logo

Valve Body, Cover, Tailpiece and Control Stop shall be in conformance with ASTM Alloy Classification for Semi-



ASSE 1037