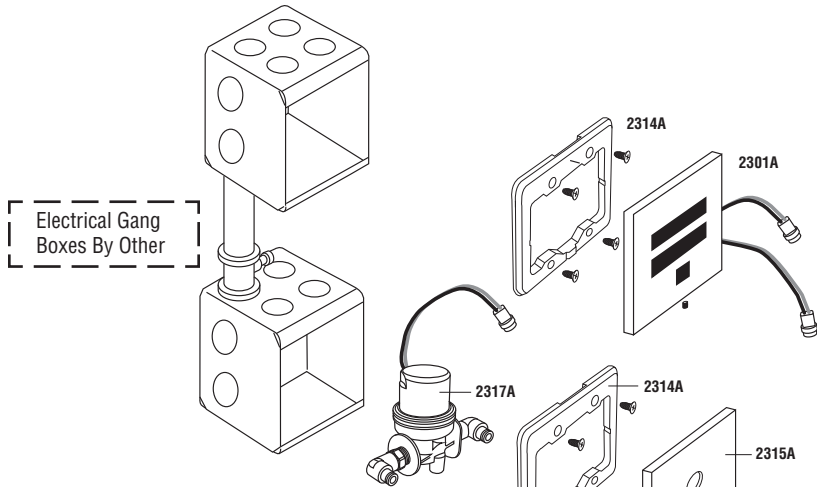


Delany TrueSense

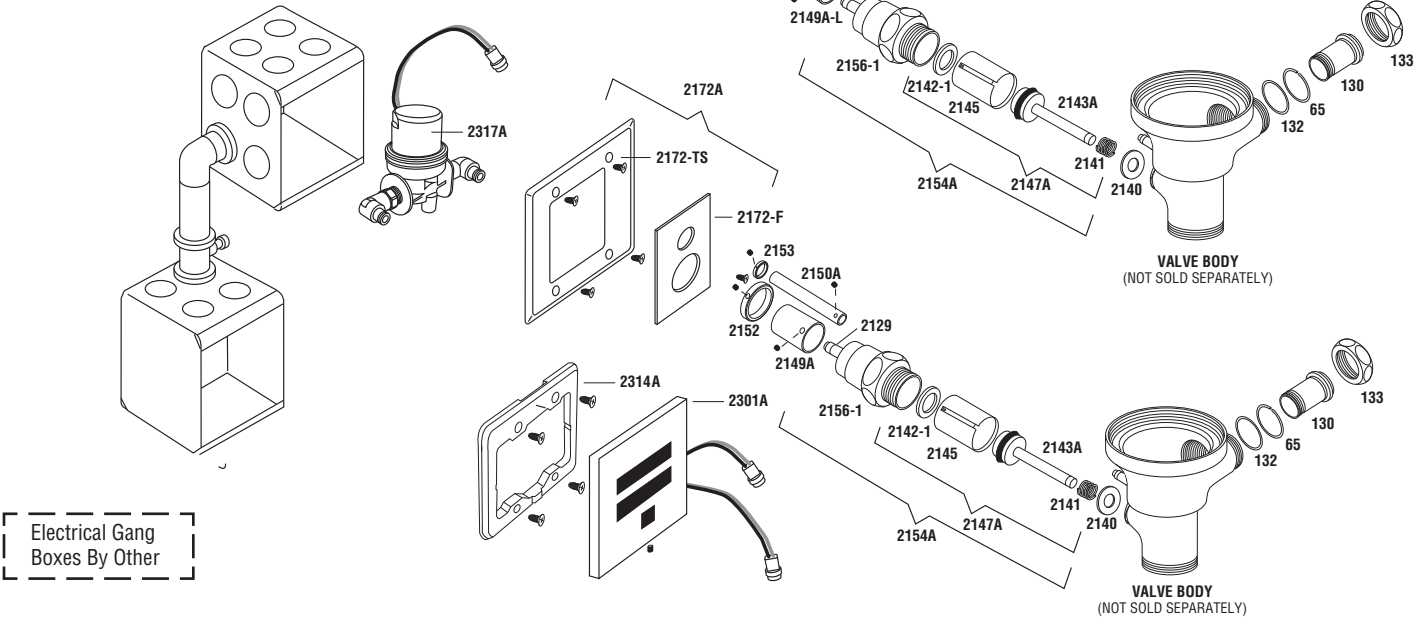
Genuine Renewal Parts for "SC" Slip Connection Vlvs.

Exposed Water Closet Assembly

NOTE: For detailed parts & diaphragm operating assy. information see the Flushboy Ultra Renewal Parts & Service Folder



Exposed Urinal Assembly



TrueSense Piston Assembly

Partial Assemblies	
Part No.	Description
2147A	Piston Internal Operating Assembly
2154A	Piston Valve Assembly

Individual Parts	
Part No.	Description
57	Clamping Nut
58	Union Nut
** 64	KwikFit union tailpiece, 2" standard length overall (allows 4-1/2" to 5-1/2" centers. Complete with No.65 & No.66 parts)
65	"O" ring
66	Clamping ring

Individual Parts Listing	
**S130	Slip Connection union tailpiece, 2" standard length overall (allows 4-1/4" to 5-1/4" centers. Complete with No.S131 & No.S132 parts)
S132	Clamping ring (For Slip Connection Assy.)
S133	Union nut (For Slip Connection Assy.)
#2129	Straight release fitting (w/ black collar)
2130	Straight release fitting (w/ red collar)
#2133	Nylon tubing (black/or/blue in color)
#2134	Nylon tubing (red in color)
2140	Handle pad washer
2141	Spring (for piston operating stem)
2142-1	Piston bore washer
2143A	Piston operating stem
2145	Piston sleeve