

EMPIRE

Description

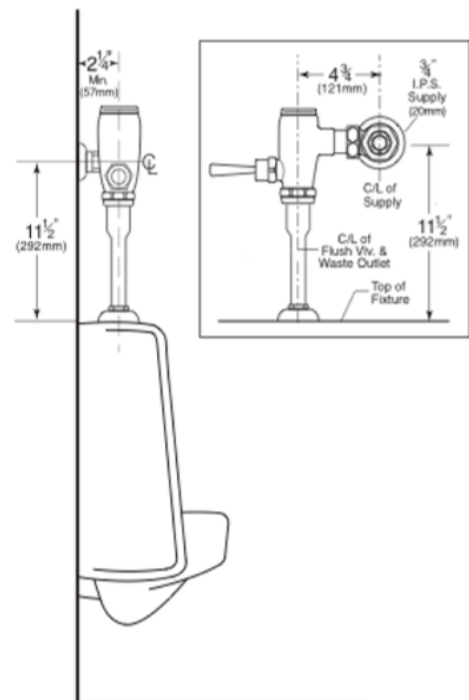
Exposed chrome plated, piston operated, flush valve for 3/4" top spud urinals with side mounted sensor actuator.

Flush Cycle

0.5 gpf / 1.9 Lpf High Efficiency

Specification

- SideArm (Side Mounted Sensor Actuator)
 - Infrared Sensor with user indicator light
 - 6 volts DC low voltage four "C" batteries
 - 8 second arming delay to prevent unintentional flushes
- Nickel plated solid brass piston cartridge.
- Mashaerator self-cleaning bypass.
- ADA compliant metal "Rubberflex" oscillating handle.
- 1" vandal resistant capped screwdriver angle stop with back-check.
- Sweat adapter kit.
- Slip-Joint adjustable tailpiece.
- 3/4" x 9" vacuum breaker flush connection.
- Wall flange, spud nut and spud flange for 1.5" top spud.
- All rubber parts molded of chloramine resistant rubber



Variations

- AM - Antimicrobial Coated Handle
- G - Bumper on angle stop (for seat without cover)
- SM - SideArm (Side Mounted Sensor Actuator)
- T6 - Wall flange with allen set screw
- T36 - Solid ring wall support for flush connection
- T46 - Split ring wall support for flush connection
- TS - TruStop - Ball valves designed Control Stop
- VPS - Vandal Proof Control Stop with Key

