

# U402-3-SM

## WATER SAVER TOILET FLUSH VALVE (3.5gpf / 13.25 Lpf per Flush)

### ULTRA

#### Description

Exposed chrome plated flush valve diaphragm operated for 1-1/2" top spud fixtures with side mounted sensor actuator.

#### Flush Cycle

3.5gpf / 13.25Lpf

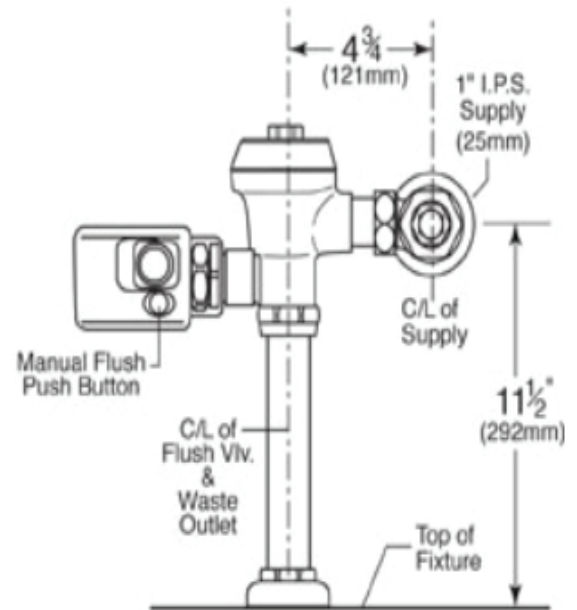
#### Specification

- SideArm (Side Mounted Sensor Actuator)
  - Infrared Sensor with user indicator light
  - True Mechanical Override Button
  - 6 volts DC low voltage four "C" batteries
  - 8 second arming delay to prevent unintentional flushes
- Regulating screw for "True-in-the-Field" water conservation.
- ADA compliant metal "Rubberflex" oscillating handle.
- Renewable main valve seat.
- 1" vandle resistant capped screwdriver angle stop with back-check.
- Sweat adapter kit.
- SlipFit adjustable tailpiece.
- 1-1/2" x 9" vacuum breaker flush connection.
- Wall flange, spud nut and spud flange for 1-1/2" top spud.
- All rubber parts molded of chloramine resistant rubber.

#### Variations

- G – Bumper on angle stop (for seat without cover)
- GJ – Ground Joint Tailpiece
- T5 – Non-Hold-Open Feature
- T6 – Wall flange with allen set screw
- T36 – Solid ring wall support for flush connection
- T46 – Split ring wall support for flush connection
- VPS – Vandal Proof Control Stop with Key

Valve is Certified to be in compliance to the applicable sections of ASSE 1037 & 1001



1037 & 1001

