

TS455-1.6-SH

DUAL FLUSH FLUSH VALVE (1.6gpf / 1.1 gpf per Flush)

TruSABER Bedpan Diverter

Description

Polished chrome plated diaphragm operated flush valve with Delany Bedpan Diverter Arm & TruStop control stop for 1-1/2" top spud water closets.

SmartHandle enabled Saber Features:

- *Pressing handle **DOWN** delivers 1.6gpf/6Lpf flush cycle for solid waste.
- *Lifting handle **UP** delivers 1.1gpf/4.2Lpf for liquid waste (a water savings of 32%)
- *Green colored Antimicrobial coating for germ resistance.

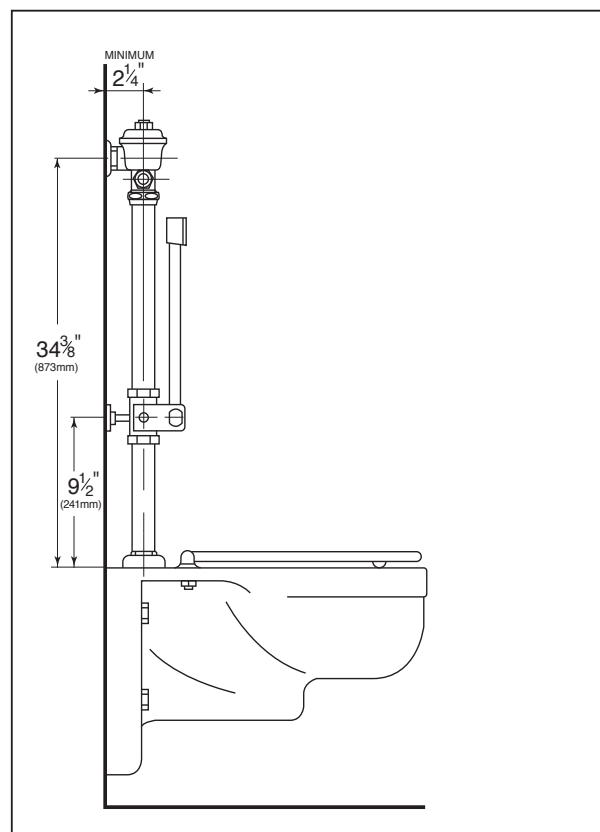
Specification

- Scratch Proof Recessed Hex-nut designed cover
- Regulating screw for "True-in-the-Field" water conservation
- Mashaerator self-cleaning bypass diaphragm
- 1" vandle proof TruStop ball valve designed angle control stop with TruChek.
- Removeable main valve seat.
- ADA compliant metal "Rubberflex" oscillating handle.
- All rubber material made of chloramine resistant material
- Slip-Joint adjustable tailpiece.
- Sweat adapter kit.
- Delany Bedpan Diverter Spray Arm
- Vacuum breaker w/ 34-3/8" rough-in flush connection
- Wall flange, spud nut and spud flange for 1-1/2" top spud

Variations

- T6 - Wall flange with allen set screw
- T36 - Solid ring wall support for flush connection
- T46 - Split ring wall support for flush connection
- VPS - Vandal Proof Control Stop with Key
- Logo - Customized Cover Cap w/ Logo

Valve is certified to be in compliance to the applicable sections of ASSE 1037 and ANSI/ASME 112.19.2



Patented TruStop Control Stop



ASSE 1037

