

TruStop

Description

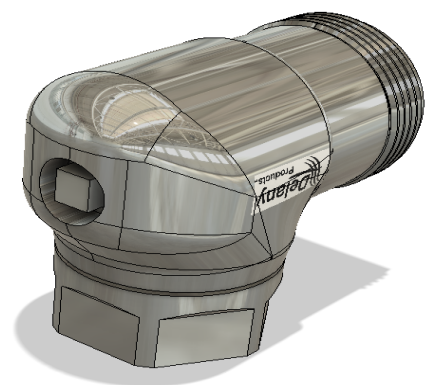
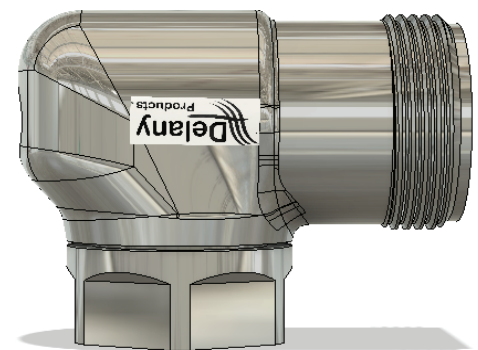
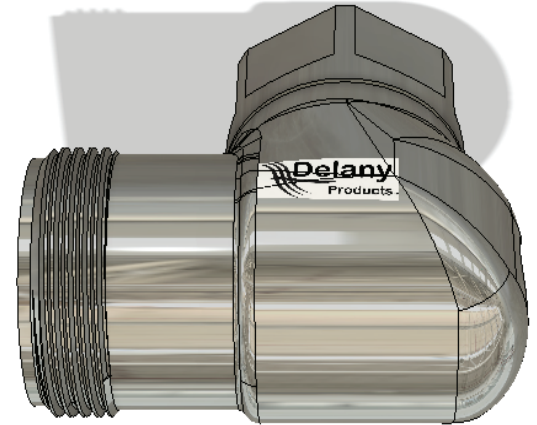
Chrome plated 1" angle control stop for use with slip connection flushometers for water closets

Specification

- 1" NPT Inlet for slip connection
- 1/4 Turn Shutoff.
- TruChek Back Check
- Vandal Proof
- Chrome Plated internal brass ball
- 9/32" Shutoff Key

Variations

- G - Bumper on Control Stop for Seat
- RB - Rough Brass exterior



1015A

TruChek for TruStop

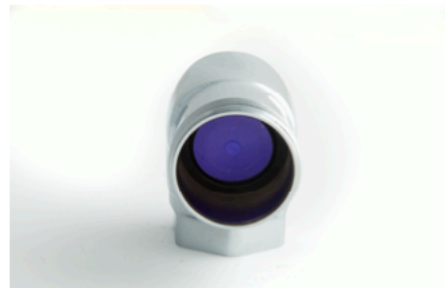
TruChek

Description

Back Check for all TruStop Control Stops

Specification

- Chloramine Resistant Silicone Rubber
- Replaceable Disc



P.O. Box 411 • Charlottesville • VA • 22902 • USA Phone: (434) 296-0166 • Fax (434) 977-3596
Email: sales@delanyproducts.com Web: www.delanyproducts.com

TruStop

Description

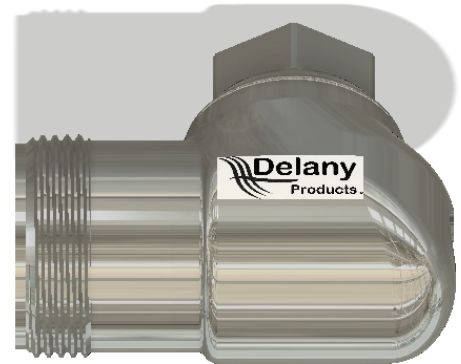
Chrome plated 3/4" angle control stop for use with slip connection flushometers for urinals

Specification

- 1" NPT Inlet for slip connection
- 1/4 Turn Shutoff.
- TruChek Back Check
- Vandal Proof
- Chrome Plated internal brass ball
- 9/32" Shutoff Key

Variations

- RB - Rough Brass exterior



TAILPIECE Adapter GJ to SC

Description

Chrome plated Tailpiece Adapter for Delny Ground Joint flush valve to allow use with all slip or adjustable connection flush valve

Specification

- For Centerlines between Valve & Stop of 5" to 6"
- #57 Clamping Nut Ground Joint Valve Body
- #133 Union Nut for SlipFit Control Stop
- 2 #65 O'rings for SlipFit Control Stop & Ground Joint Body
- #66 Clamping Ring for Ground Joint Body
- All Rubber Components are Chlorimine Resistant

